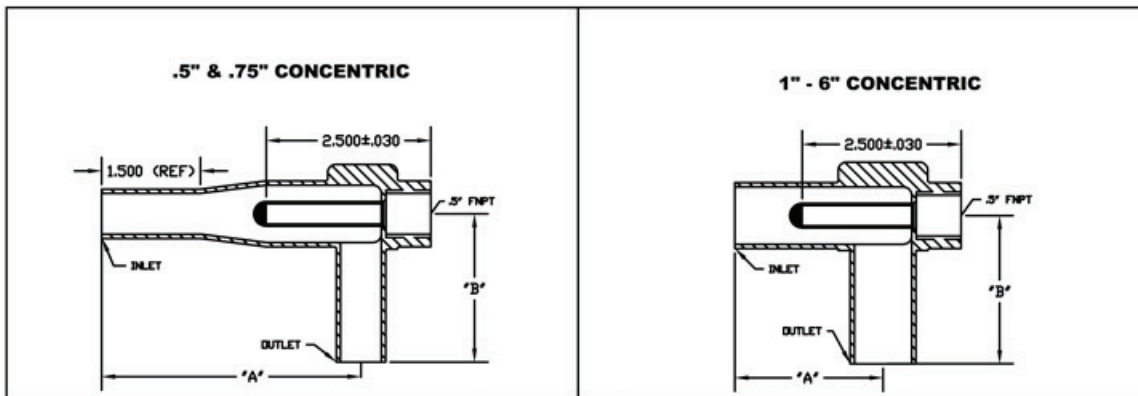
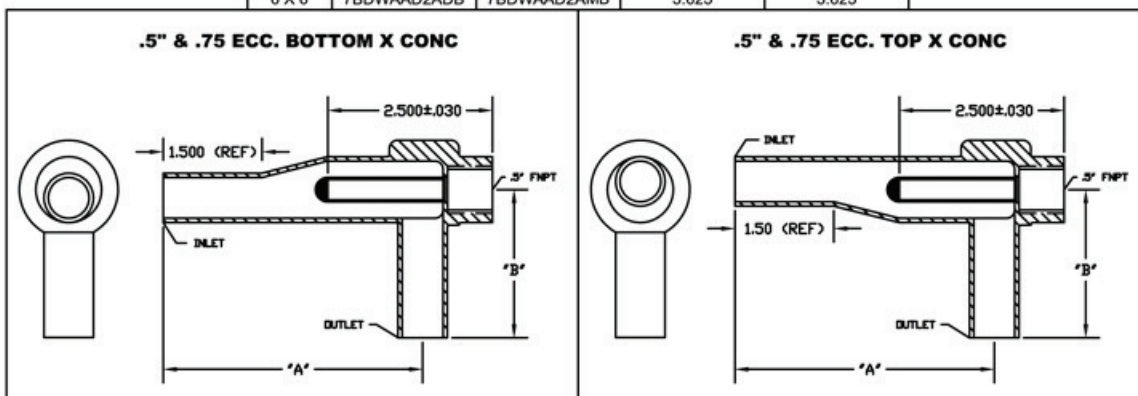


Thermowell Elbows

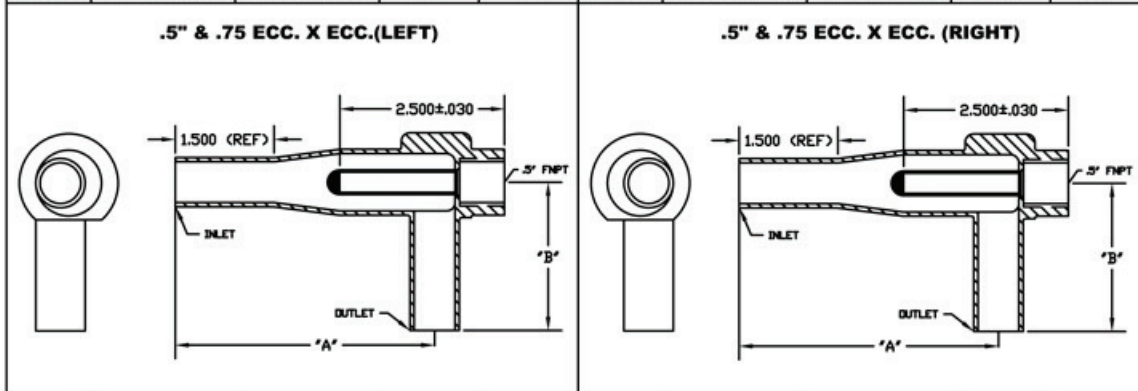
2.5" Probe Length



	20Ra No EP	15Ra EP ID	"A" DIM.	"B" DIM
.5 X .5	7BBUAAD2ADB	7BBUAAD2AMB	3.938	2.25
.75 X .75	7BBYAAD2ADB	7BBYAAD2AMB	3.938	2.25
1 X 1	7BCCAAD2ADB	7BCCAAD2AMB	2.25	2.25
1.5 X 1.5	7BCLAAD2ADB	7BCLAAD2AMB	3.0	3.0
2 X 2	7BCUAAD2ADB	7BCUAAD2AMB	3.375	3.375
2.5 X 2.5	7BCYAAD2ADB	7BCYAAD2AMB	3.5	3.5
3 X 3	7BDCAAD2ADB	7BDCAAD2AMB	4.0	4.0
4 X 4	7BDLAAD2ADB	7BDLAAD2AMB	6.0	6.0
6 X 6	7BDWAAD2ADB	7BDWAAD2AMB	5.625	5.625



	20Ra No EP	15Ra EP ID	"A" DIM.	"B" DIM		20Ra No EP	15Ra EP ID	"A" DIM.	"B" DIM
.5 X .5	7BBUBAD2ADB	7BBUBAD2AMB	3.938	2.25	.5 X .5	7BBUCAD2ADB	7BBUCAD2AMB	3.938	2.25
.75 X .75	7BBYBAD2ADB	7BBYBAD2AMB	3.938	2.25	.75 X .75	7BBYCAD2ADB	7BBYCAD2AMB	3.938	2.25



	20Ra No EP	15Ra EP ID	"A" DIM.	"B" DIM		20Ra No EP	15Ra EP ID	"A" DIM.	"B" DIM
.5 X .5	7BBUDAD2ADB	7BBUDAD2AMB	3.938	2.25	.5 X .5	7BBUEAD2ADB	7BBUEAD2AMB	3.938	2.25
.75 X .75	7BBYDAD2ADB	7BBYDAD2AMB	3.938	2.25	.75 X .75	7BBYEAD2ADB	7BBYEAD2AMB	3.938	2.25

Options:

- * Probe Connections are available in TC connection(Fractional and 1.0)
- * Probe Lengths can be suited to different immersion depths.
- * Other finishes available
- * Other materials available(alloy 22, alloy 276)