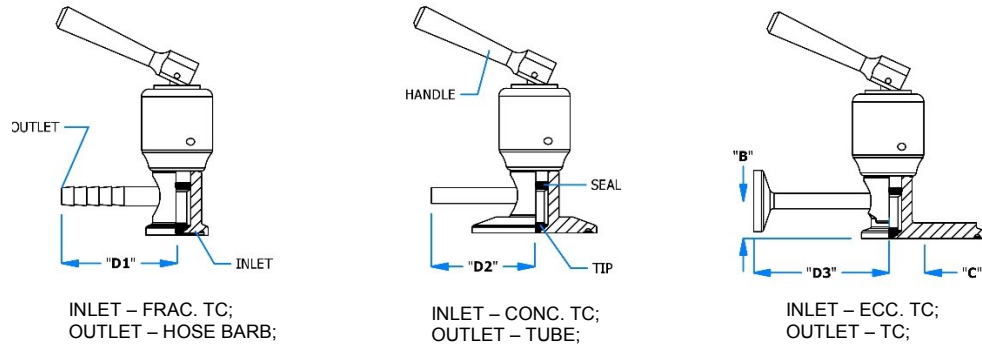


SANITARY ANGLE BLEED VALVES – TOGGLE SAFETY HANDLE



SANITARY ANGLE BLEED VALVES – TOGGLE SAFETY HANDLE (Ø 0.187" INLET BORE SIZE)					
1/4" HB OUTLET	INLET	PART #	"B" DIM	"C" DIM	"D1" DIM
	0.5" & 0.75"	SBGFA2A*	0.63"		1.85"
	1.0" CONC.	SBGLA2A	0.61"		1.85"
	1.0" ECC.	SBGLD2A	0.61"	0.322"	1.85"
	1.5" CONC.	SBGSA2A	0.61"		1.85"
	1.5" ECC.	SBGSD2A	0.61"	0.572"	1.85"
	2.0" CONC.	SBGZA2A	0.61"		2.25"
	2.0" ECC.	SBGZD2A	0.61"	0.822"	1.85"
	2.5" CONC.	SBHJA2A	0.61"		2.50"
	2.5" ECC.	SBHJD2A	0.61"	1.070"	1.85"
	3.0" CONC.	SBJDA2A	0.61"		2.75"
	3.0" ECC.	SBJDD2A	0.61"	1.322"	1.85"
4.0" CONC.	SBJTA2A	0.61"		3.25"	
4.0" ECC.	SBJTD2A	0.61"	1.804"	1.85"	
1/4" TUBE OUTLET	INLET	PART #	"B" DIM	"C" DIM	"D2" DIM
	0.5" & 0.75"	SBGFB2A	0.63"		1.75"
	1.0" CONC.	SBGLB2A	0.61"		2.25"
	1.0" ECC.	SBGLE2A	0.61"	0.322"	1.93"
	1.5" CONC.	SBGSB2A	0.61"		2.25"
	1.5" ECC.	SBGSE2A	0.61"	0.572"	1.93"
	2.0" CONC.	SBGZB2A	0.61"		2.75"
	2.0" ECC.	SBGZE2A	0.61"	0.822"	1.93"
	2.5" CONC.	SBHJB2A	0.61"		3.00"
	2.5" ECC.	SBHJE2A	0.61"	1.070"	1.93"
	3.0" CONC.	SBJDB2A	0.61"		3.25"
	3.0" ECC.	SBJDE2A	0.61"	1.322"	1.93"
4.0" CONC.	SBJTB2A	0.61"		3.75"	
4.0" ECC.	SBJTE2A	0.61"	1.804"	1.93"	
3/8" TUBE OUTLET	INLET	PART #	"B" DIM	"C" DIM	"D2" DIM
	0.5" & 0.75"	SBGGB2A	0.57"		1.75"
	1.0" CONC.	SBGMB2A	0.55"		2.25"
	1.0" ECC.	SBGME2A	0.55"	0.322"	1.93"
	1.5" CONC.	SBGTB2A	0.55"		2.25"
	1.5" ECC.	SBGTE2A	0.55"	0.572"	1.93"
	2.0" CONC.	SBHAB2A	0.55"		2.75"
	2.0" ECC.	SBHAE2A	0.55"	0.822"	1.93"
	2.5" CONC.	SBHKB2A	0.55"		3.00"
	2.5" ECC.	SBHKE2A	0.55"	1.070"	1.93"
	3.0" CONC.	SBJEB2A	0.55"		3.25"
	3.0" ECC.	SBJEE2A	0.55"	1.322"	1.93"
4.0" CONC.	SBJUB2A	0.55"		3.75"	
4.0" ECC.	SBJUE2A	0.55"	1.804"	1.93"	

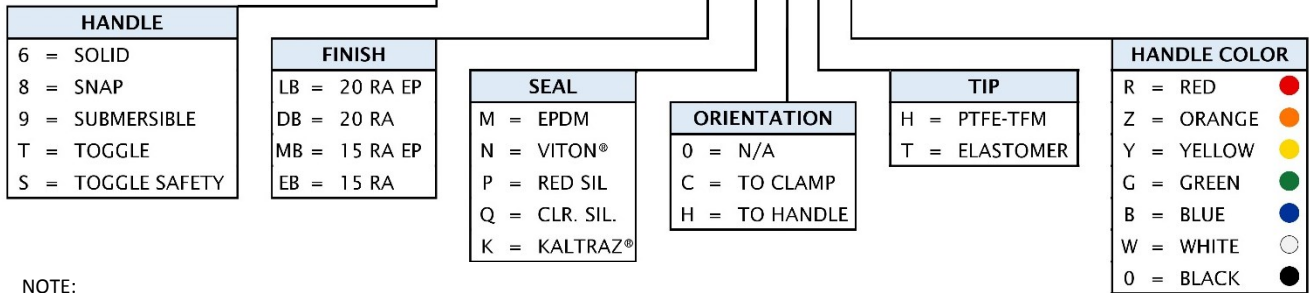
SANITARY ANGLE BLEED VALVES – TOGGLE SAFETY HANDLE

SANITARY ANGLE BLEED VALVES – TOGGLE SAFETY HANDLE (Ø 0.187" INLET BORE SIZE)					
3/8" TC OUTLET	INLET	PART #	"B" DIM	"C" DIM	"D3" DIM
	0.5" & 0.75"	SBGGC2A	0.57"		1.75"
	1.0" CONC.	SBGMC2A	0.55"		2.25"
	1.0" ECC.	SBGMF2A	0.55"	0.322"	1.93"
	1.5" CONC.	SBGTC2A	0.55"		2.25"
	1.5" ECC.	SBGTF2A	0.55"	0.572"	1.93"
	2.0" CONC.	SBHAC2A	0.55"		2.75"
	2.0" ECC.	SBHAF2A	0.55"	0.822"	1.93"
	2.5" CONC.	SBHKC2A	0.55"		3.00"
	2.5" ECC.	SBHKF2A	0.55"	1.070"	1.93"
	3.0" CONC.	SBJEC2A	0.55"		3.25"
	3.0" ECC.	SBJEF2A	0.55"	1.322"	1.93"
	4.0" CONC.	SBJUC2A	0.55"		3.75"
4.0" ECC.	SBJUF2A	0.55"	1.804"	1.93"	

SANITARY ANGLE BLEED VALVES – TOGGLE SAFETY HANDLE CONFIGURATION

EXAMPLE: PART# **SBGFA2A*** – 1/4" HB OUTLET X 0.5" TC INLET ANGLE BLEED VALVE

S B G F A 2 A - - - - -



NOTE: Custom end connections available on request. Please contact a sales representative.

VITON® is a registered trademark of DuPont Performance Elastomers.
KALTRAZ® is a registered trademark of Advant O Seal.

SANITARY ANGLE BLEED VALVES – TOGGLE SAFETY HANDLE – SPARES

BLEED VALVE SPARE SEALS FOR STEM CAN BE ORDERED IN TWO PACKAGING TYPES DEPENDING ON INVENTORY REQUIREMENTS TO SUIT CUSTOMER NEEDS.

SEALS FOR STEM					
SEAL MATERIAL			PART #		
			SET		KIT
TEFLON® TIP	TEFLON® TIP	— EPDM O-RING	SB0003M	— SET	SB0003M — KIT
	TEFLON® TIP	— VITON® O-RING	SB0003N	— SET	SB0003N — KIT
	TEFLON® TIP	— RED SIL. O-RING	SB0003P	— SET	SB0003P — KIT
	TEFLON® TIP	— CLR. SIL. O-RING	SB0003Q	— SET	SB0003Q — KIT
	TEFLON® TIP	— KALTRAZ® O-RING	SB0003K	— SET	SB0003K — KIT
ELASTOMER TIP	EPDM TIP	— EPDM O-RING	SB000ZM	— SET	SB000ZM — KIT
	VITON® TIP	— VITON® O-RING	SB000ZN	— SET	SB000ZN — KIT
	RED SIL. TIP	— RED SIL. O-RING	SB000ZP	— SET	SB000ZP — KIT
	CLR SIL. TIP	— CLR. SIL. O-RING	SB000ZQ	— SET	SB000ZQ — KIT
	KALTRAZ® TIP	— KALTRAZ® O-RING	SB000ZK	— SET	SB000ZK — KIT

NOTES:

- 1 SET CONTAINS = (1) TIP, (1) O-RING, (1) DOWEL PIN
- 1 KIT CONTAINS = (5) TIPS, (5) O-RINGS, (5) DOWEL PINS

LOCK SCREWS	
PART#	
	6B000HA

NOTES:

- 1 UNIT = (3) LOCK SCREWS + (1) ALLEN WRENCH

O-RING LUBE	
PART#	
	6Z0009

NOTES:

- PLEASE REFER TO FLT O-RING LUBE DATA SHEET FOR SPECIFICATION