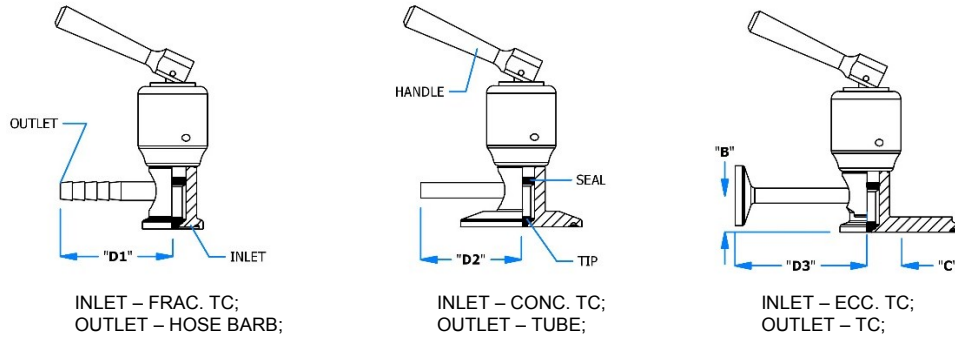


SANITARY ANGLE BLEED VALVES – TOGGLE HANDLE



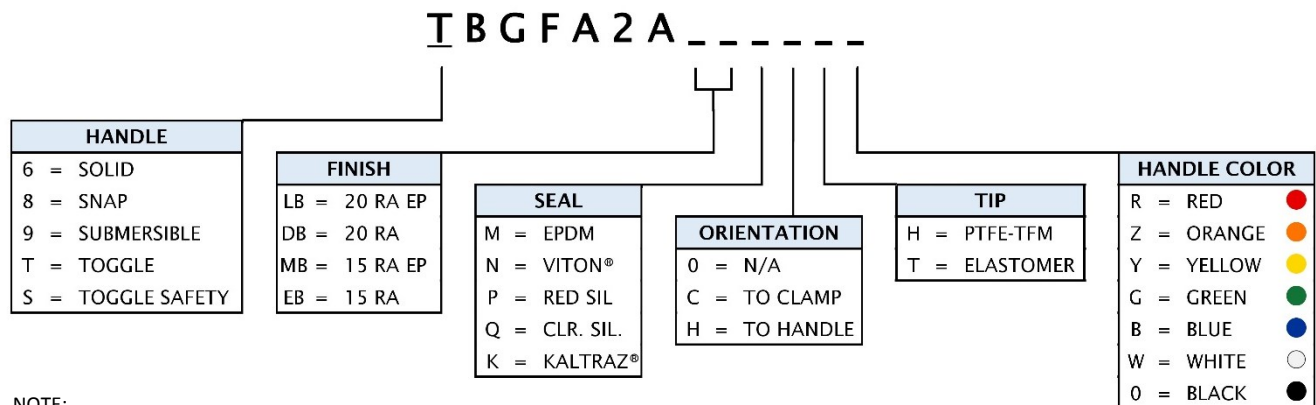
SANITARY ANGLE BLEED VALVES – TOGGLE HANDLE (Ø 0.187" INLET BORE SIZE)					
1/4" HB OUTLET	INLET	PART #	"B" DIM	"C" DIM	"D1" DIM
	0.5" & 0.75"	TBGF2A*	0.63"		1.85"
	1.0" CONC.	TBGLA2A	0.61"		1.85"
	1.0" ECC.	TBGLD2A	0.61"	0.322"	1.85"
	1.5" CONC.	TBGS2A	0.61"		1.85"
	1.5" ECC.	TBGS2A	0.61"	0.572"	1.85"
	2.0" CONC.	TBGZA2A	0.61"		2.25"
	2.0" ECC.	TBGZD2A	0.61"	0.822"	1.85"
	2.5" CONC.	TBHJA2A	0.61"		2.50"
	2.5" ECC.	TBHJD2A	0.61"	1.070"	1.85"
	3.0" CONC.	TBJDA2A	0.61"		2.75"
	3.0" ECC.	TBJDD2A	0.61"	1.322"	1.85"
4.0" CONC.	TBJTA2A	0.61"		3.25"	
4.0" ECC.	TBJTD2A	0.61"	1.804"	1.85"	
1/4" TUBE OUTLET	INLET	PART #	"B" DIM	"C" DIM	"D2" DIM
	0.5" & 0.75"	TBGF2A	0.63"		1.75"
	1.0" CONC.	TBGL2A	0.61"		2.25"
	1.0" ECC.	TBGL2A	0.61"	0.322"	1.93"
	1.5" CONC.	TBGS2A	0.61"		2.25"
	1.5" ECC.	TBGS2A	0.61"	0.572"	1.93"
	2.0" CONC.	TBGZ2A	0.61"		2.75"
	2.0" ECC.	TBGZ2A	0.61"	0.822"	1.93"
	2.5" CONC.	TBHJ2A	0.61"		3.00"
	2.5" ECC.	TBHJ2A	0.61"	1.070"	1.93"
	3.0" CONC.	TBJD2A	0.61"		3.25"
	3.0" ECC.	TBJD2A	0.61"	1.322"	1.93"
4.0" CONC.	TBJT2A	0.61"		3.75"	
4.0" ECC.	TBJT2A	0.61"	1.804"	1.93"	
3/8" TUBE OUTLET	INLET	PART #	"B" DIM	"C" DIM	"D2" DIM
	0.5" & 0.75"	TBGB2A	0.57"		1.75"
	1.0" CONC.	TBGM2A	0.55"		2.25"
	1.0" ECC.	TBGM2A	0.55"	0.322"	1.93"
	1.5" CONC.	TBGT2A	0.55"		2.25"
	1.5" ECC.	TBGT2A	0.55"	0.572"	1.93"
	2.0" CONC.	TBHAB2A	0.55"		2.75"
	2.0" ECC.	TBHAB2A	0.55"	0.822"	1.93"
	2.5" CONC.	TBHK2A	0.55"		3.00"
	2.5" ECC.	TBHK2A	0.55"	1.070"	1.93"
	3.0" CONC.	TBJEB2A	0.55"		3.25"
	3.0" ECC.	TBJEB2A	0.55"	1.322"	1.93"
4.0" CONC.	TBJUB2A	0.55"		3.75"	
4.0" ECC.	TBJUB2A	0.55"	1.804"	1.93"	

SANITARY ANGLE BLEED VALVES – TOGGLE HANDLE

SANITARY ANGLE BLEED VALVES – TOGGLE HANDLE (Ø 0.187" INLET BORE SIZE)					
	INLET	PART #	"B" DIM	"C" DIM	"D3" DIM
3/8" TC OUTLET	0.5" & 0.75"	TBGGC2A	0.57"		1.75"
	1.0" CONC.	TBGM2A	0.55"		2.25"
	1.0" ECC.	TBGMF2A	0.55"	0.322"	1.93"
	1.5" CONC.	TBGT2A	0.55"		2.25"
	1.5" ECC.	TBGT2A	0.55"	0.572"	1.93"
	2.0" CONC.	TBHAC2A	0.55"		2.75"
	2.0" ECC.	TBHAF2A	0.55"	0.822"	1.93"
	2.5" CONC.	TBHC2A	0.55"		3.00"
	2.5" ECC.	TBHK2A	0.55"	1.070"	1.93"
	3.0" CONC.	TBJEC2A	0.55"		3.25"
	3.0" ECC.	TBJEF2A	0.55"	1.322"	1.93"
	4.0" CONC.	TBJUC2A	0.55"		3.75"
	4.0" ECC.	TBJUF2A	0.55"	1.804"	1.93"

SANITARY ANGLE BLEED VALVES – TOGGLE HANDLE CONFIGURATION

EXAMPLE: PART# **TBGFA2A*** – 1/4" HB OUTLET X 0.5" TC INLET ANGLE BLEED VALVE



NOTE:

Custom end connections available on request. Please contact a sales representative.

VITON® is a registered trademark of DuPont Performance Elastomers.
KALTRAZ® is a registered trademark of Advant O Seal.

SANITARY ANGLE BLEED VALVES – TOGGLE HANDLE – SPARES

BLEED VALVE SPARE SEALS FOR STEM CAN BE ORDERED IN TWO PACKAGING TYPES DEPENDING ON INVENTORY REQUIREMENTS TO SUIT CUSTOMER NEEDS.

SEALS FOR STEM					
SEAL MATERIAL			PART #		
			SET		KIT
TEFLON® TIP	TEFLON® TIP	— EPDM O-RING	TB0003M	— SET	TB0003M — KIT
	TEFLON® TIP	— VITON® O-RING	TB0003N	— SET	TB0003N — KIT
	TEFLON® TIP	— RED SIL. O-RING	TB0003P	— SET	TB0003P — KIT
	TEFLON® TIP	— CLR. SIL. O-RING	TB0003Q	— SET	TB0003Q — KIT
	TEFLON® TIP	— KALTRAZ® O-RING	TB0003K	— SET	TB0003K — KIT
ELASTOMER TIP	EPDM TIP	— EPDM O-RING	TB000ZM	— SET	TB000ZM — KIT
	VITON® TIP	— VITON® O-RING	TB000ZN	— SET	TB000ZN — KIT
	RED SIL. TIP	— RED SIL. O-RING	TB000ZP	— SET	TB000ZP — KIT
	CLR SIL. TIP	— CLR. SIL. O-RING	TB000ZQ	— SET	TB000ZQ — KIT
	KALTRAZ® TIP	— KALTRAZ® O-RING	TB000ZK	— SET	TB000ZK — KIT

NOTES:

- 1 SET CONTAINS = (1) TIP, (1) O-RING, (1) DOWEL PIN
- 1 KIT CONTAINS = (5) TIPS, (5) O-RINGS, (5) DOWEL PINS

LOCK SCREWS	
PART#	6B000HA

NOTES:

- 1 UNIT = (3) LOCK SCREWS + (1) ALLEN WRENCH

O-RING LUBE	
PART#	6Z0009

NOTES:

- PLEASE REFER TO FLT O-RING LUBE DATA SHEET FOR SPECIFICATION