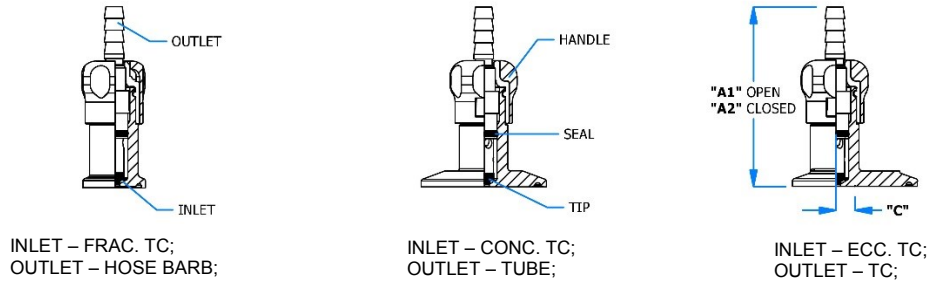


**SANITARY INLINE BLEED VALVES – SNAP HANDLE**

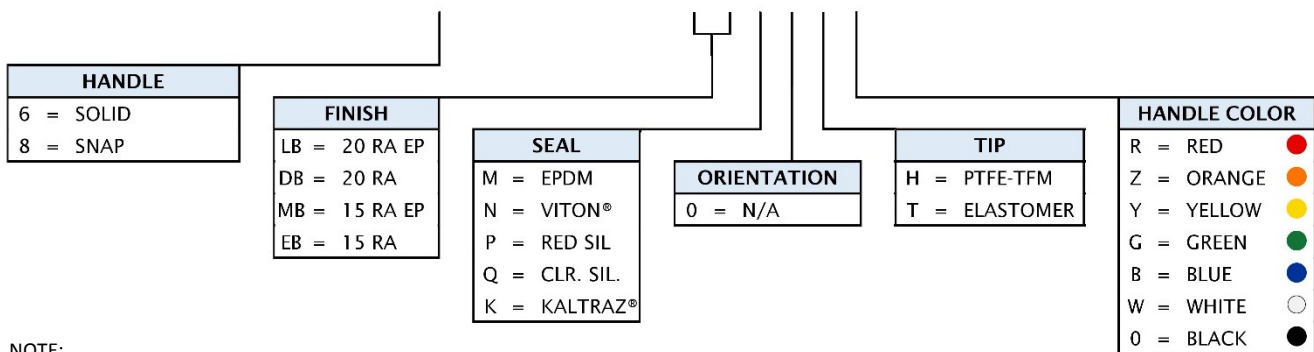


SANITARY INLINE BLEED VALVES – SNAP HANDLE (Ø 0.187" INLET BORE SIZE)					
	INLET	PART #	"A1" DIM	"A2" DIM	"C" DIM
1/4" HB OUTLET	0.5" & 0.75"	8JGFA2A*	2.95"	2.85"	
	1.0" CONC.	8JGLA2A	2.95"	2.85"	
	1.0" ECC.	8JGLD2A	2.95"	2.85"	0.322"
	1.5" CONC.	8JGSA2A	2.95"	2.85"	
	1.5" ECC.	8JGSD2A	2.95"	2.85"	0.572"
	2.0" CONC.	8JGA2A	2.95"	2.85"	
	2.0" ECC.	8JGZD2A	2.95"	2.85"	0.822"
	2.5" CONC.	8JHA2A	2.95"	2.85"	
	2.5" ECC.	8JHD2A	2.95"	2.85"	1.070"
	3.0" CONC.	8JDA2A	2.95"	2.85"	
	3.0" ECC.	8JDD2A	2.95"	2.85"	1.322"
	4.0" CONC.	8JTA2A	2.95"	2.85"	
	4.0" ECC.	8JTD2A	2.95"	2.85"	1.804"

**SANITARY INLINE BLEED VALVES – SNAP HANDLE CONFIGURATION**

EXAMPLE: PART# 8JGFA2A\* – 1/4" HB OUTLET X 0.5" TC INLET INLINE BLEED VALVE

**8 J G F A 2 A \_ \_ \_ 0 \_ \_**



NOTE:

Custom end connections available on request. Please contact a sales representative.

VITON® is a registered trademark of DuPont Performance Elastomers.  
KALTRAZ® is a registered trademark of Advant O Seal.

## SANITARY INLINE BLEED VALVES – SNAP HANDLE – SPARES

BLEED VALVE SPARE SEALS FOR STEM CAN BE ORDERED IN TWO PACKAGING TYPES DEPENDING ON INVENTORY REQUIREMENTS TO SUIT CUSTOMER NEEDS.

SEALS FOR STEM					
SEAL MATERIAL			PART #		
			SET		KIT
TEFLON® TIP	TEFLON® TIP	— EPDM O-RING	8J0003M	— SET	8J0003M — KIT
	TEFLON® TIP	— VITON® O-RING	8J0003N	— SET	8J0003N — KIT
	TEFLON® TIP	— RED SIL. O-RING	8J0003P	— SET	8J0003P — KIT
	TEFLON® TIP	— CLR. SIL. O-RING	8J0003Q	— SET	8J0003Q — KIT
	TEFLON® TIP	— KALTRAZ® O-RING	8J0003K	— SET	8J0003K — KIT
ELASTOMER TIP	EPDM TIP	— EPDM O-RING	8J000ZM	— SET	8J000ZM — KIT
	VITON® TIP	— VITON® O-RING	8J000ZN	— SET	8J000ZN — KIT
	RED SIL. TIP	— RED SIL. O-RING	8J000ZP	— SET	8J000ZP — KIT
	CLR SIL. TIP	— CLR. SIL. O-RING	8J000ZQ	— SET	8J000ZQ — KIT
	KALTRAZ® TIP	— KALTRAZ® O-RING	8J000ZK	— SET	8J000ZK — KIT

**NOTES:**

- 1 SET CONTAINS = (1) TIP, (1) O-RING, (1) DOWEL PIN
- 1 KIT CONTAINS = (5) TIPS, (5) O-RINGS, (5) DOWEL PINS

STEM			
OUTLET	TIP	FINISH	
		20 RA	15 RA/EP
1/4" HB	TEFLON® TIP	6JBMWBADB	6JBMWBAMB
	ELASTOMER TIP	6JBMWTADB	6JBMWTAMB

**NOTES:**

- ELASTOMER IS USED AS A REFERENCE FOR MATERIALS LIKE EPDM, VITON®, RED SILICONE, CLEAR SILICONE AND KALTRAZ®

HANDLE	
HANDLE COLOR	PART #
RED	8B000DS — R
ORANGE	8B000DS — Z
YELLOW	8B000DS — Y
GREEN	8B000DS — G
BLUE	8B000DS — B
WHITE	8B000DS — W
BLACK	8B000DG — 0

**NOTES:**

- SNAP HANDLE WILL COME WITH HANDLE KEY

O-RING LUBE	
PART#	
	6Z0009

**NOTES:**

- PLEASE REFER TO FLT O-RING LUBE DATA SHEET FOR SPECIFICATION