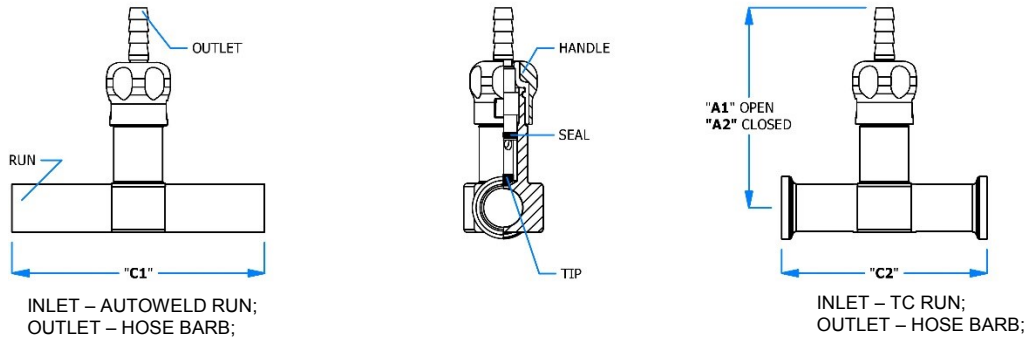


SANITARY ZERO STATIC TEE INLINE BLEED VALVES – SNAP HANDLE

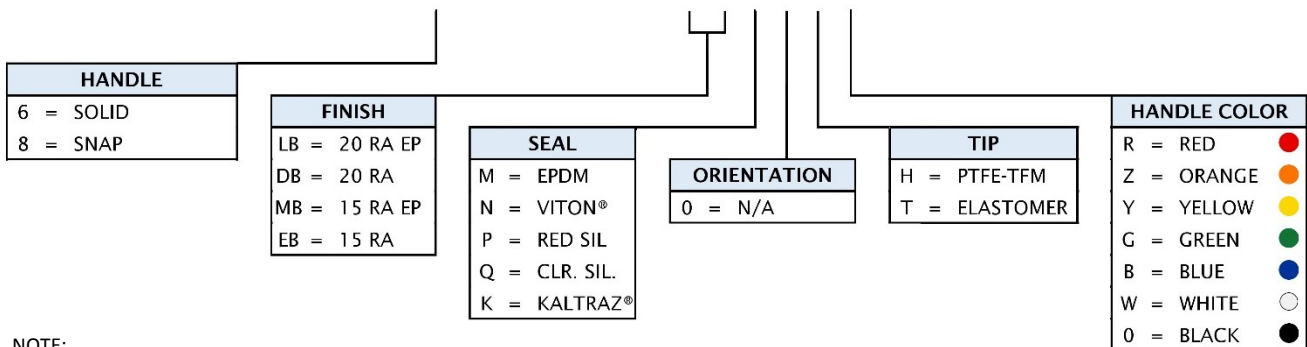


SANITARY ZERO STATIC TEE INLINE BLEED VALVES – SNAP HANDLE (Ø 0.187" INLET BORE SIZE)					
1/4" HB OUTLET	A/W RUN	PART #	"A1" DIM	"A2" DIM	"C1" DIM
	0.5"	8SGBN2A*	3.12"	3.02"	3.85"
	0.75"	8SGFN2A	3.24"	3.14"	4.00"
	1.0"	8SGLN2A	3.37"	3.27"	4.10"
	1.5"	8SGSN2A	3.62"	3.52"	5.30"
	2.0"	8SGZN2A	3.88"	3.78"	7.00"
	2.5"	8SHJN2A	4.12"	4.02"	7.00"
	3.0"	8SJDN2A	4.38"	4.28"	9.00"
4.0"	8SJTN2A	4.86"	4.76"	11.00"	
1/4" HB OUTLET	TC RUN	PART #	"A1" DIM	"A2" DIM	"C2" DIM
	0.5"	8SGBR2A	3.12"	3.02"	3.10"
	0.75"	8SGFR2A	3.24"	3.14"	3.25"
	1.0"	8SGLR2A	3.37"	3.27"	3.35"
	1.5"	8SGSR2A	3.62"	3.52"	3.25"
	2.0"	8SGZR2A	3.88"	3.78"	3.25"
	2.5"	8SHJR2A	4.12"	4.02"	3.25"
	3.0"	8SJDR2A	4.38"	4.28"	3.25"
4.0"	8SJTR2A	4.86"	4.76"	3.25"	

SANITARY ZERO STATIC TEE INLINE BLEED VALVES – SNAP HANDLE CONFIGURATION

EXAMPLE: PART# 8SGBN2A* – 1/4" HB OUTLET X 0.5" AUTOWELDED RUN INLET ZERO STATIC TEE INLINE BLEED VALVE

8 S G B N 2 A _ _ _ 0 _ _ _



NOTE:

Custom end connections available on request. Please contact a sales representative.

VITON® is a registered trademark of DuPont Performance Elastomers.
KALTRAZ® is a registered trademark of Advant O Seal.

SANITARY ZERO STATIC TEE INLINE BLEED VALVES – SNAP HANDLE – SPARES

BLEED VALVE SPARE SEALS FOR STEM CAN BE ORDERED IN TWO PACKAGING TYPES DEPENDING ON INVENTORY REQUIREMENTS TO SUIT CUSTOMER NEEDS.

SEALS FOR STEM					
SEAL MATERIAL			PART #		
			SET		KIT
TEFLON® TIP	TEFLON® TIP	— EPDM O-RING	8S0003M	— SET	8S0003M — KIT
	TEFLON® TIP	— VITON® O-RING	8S0003N	— SET	8S0003N — KIT
	TEFLON® TIP	— RED SIL. O-RING	8S0003P	— SET	8S0003P — KIT
	TEFLON® TIP	— CLR. SIL. O-RING	8S0003Q	— SET	8S0003Q — KIT
	TEFLON® TIP	— KALTRAZ® O-RING	8S0003K	— SET	8S0003K — KIT
ELASTOMER TIP	EPDM TIP	— EPDM O-RING	8S000ZM	— SET	8S000ZM — KIT
	VITON® TIP	— VITON® O-RING	8S000ZN	— SET	8S000ZN — KIT
	RED SIL. TIP	— RED SIL. O-RING	8S000ZP	— SET	8S000ZP — KIT
	CLR SIL. TIP	— CLR. SIL. O-RING	8S000ZQ	— SET	8S000ZQ — KIT
	KALTRAZ® TIP	— KALTRAZ® O-RING	8S000ZK	— SET	8S000ZK — KIT

NOTES:

- 1 SET CONTAINS = (1) TIP, (1) O-RING, (1) DOWEL PIN
- 1 KIT CONTAINS = (5) TIPS, (5) O-RINGS, (5) DOWEL PINS

STEM			
OUTLET	TIP	FINISH	
		20 RA	15 RA/EP
1/4" HB	TEFLON® TIP	6JBMWBADB	6JBMWBAMB
	ELASTOMER TIP	6JBMWTADB	6JBMWTAMB

NOTES:

- ELASTOMER IS USED AS A REFERENCE FOR MATERIALS LIKE EPDM, VITON®, RED SILICONE, CLEAR SILICONE AND KALTRAZ®

HANDLE	
HANDLE COLOR	PART #
RED	8B000DS — R
ORANGE	8B000DS — Z
YELLOW	8B000DS — Y
GREEN	8B000DS — G
BLUE	8B000DS — B
WHITE	8B000DS — W
BLACK	8B000DG — 0

NOTES:

- SNAP HANDLE WILL COME WITH HANDLE KEY

O-RING LUBE	
PART#	6Z0009

NOTES:

- PLEASE REFER TO FLT O-RING LUBE DATA SHEET FOR SPECIFICATION