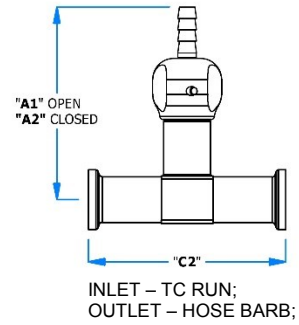
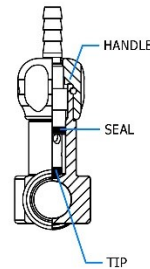
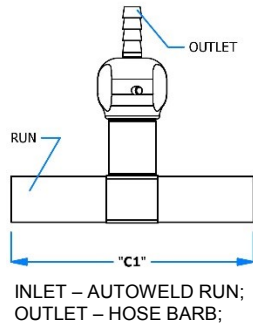


SANITARY ZERO STATIC TEE INLINE BLEED VALVES – SOLID HANDLE

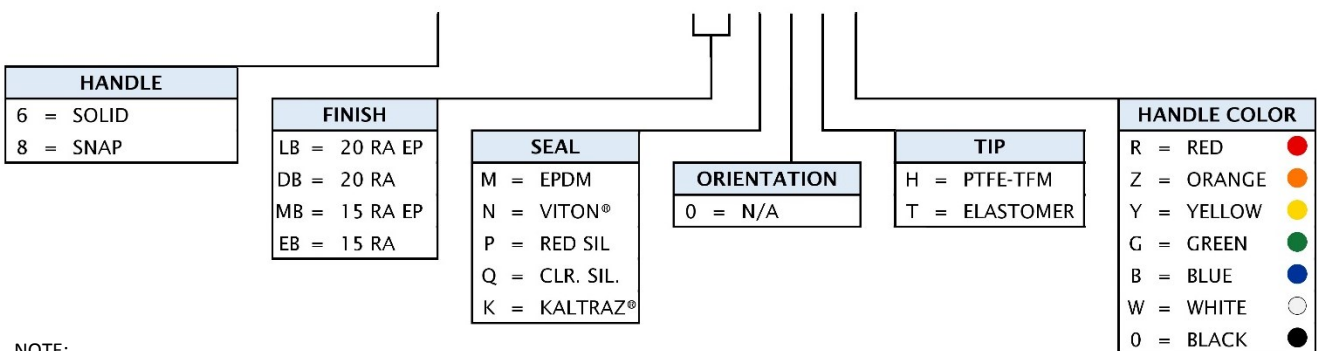


SANITARY ZERO STATIC TEE INLINE BLEED VALVES – SOLID HANDLE (Ø 0.187" INLET BORE SIZE)					
1/4" HB OUTLET	A/W RUN	PART #	"A1" DIM	"A2" DIM	"C1" DIM
	0.5"	6SGBN2A*	3.12"	3.02"	3.85"
	0.75"	6SGFN2A	3.24"	3.14"	4.00"
	1.0"	6SGLN2A	3.37"	3.27"	4.10"
	1.5"	6SGSN2A	3.62"	3.52"	5.30"
	2.0"	6SGZN2A	3.88"	3.78"	7.00"
	2.5"	6SHJN2A	4.12"	4.02"	7.00"
	3.0"	6SJDN2A	4.38"	4.28"	9.00"
4.0"	6SJTN2A	4.86"	4.76"	11.00"	
1/4" HB OUTLET	TC RUN	PART #	"A1" DIM	"A2" DIM	"C2" DIM
	0.5"	6SGBR2A	3.12"	3.02"	3.10"
	0.75"	6SGFR2A	3.24"	3.14"	3.25"
	1.0"	6SGLR2A	3.37"	3.27"	3.35"
	1.5"	6SGSR2A	3.62"	3.52"	3.25"
	2.0"	6SGZR2A	3.88"	3.78"	3.25"
	2.5"	6SHJR2A	4.12"	4.02"	3.25"
	3.0"	6SJDR2A	4.38"	4.28"	3.25"
4.0"	6SJTR2A	4.86"	4.76"	3.25"	

SANITARY ZERO STATIC TEE INLINE BLEED VALVES – SOLID HANDLE CONFIGURATION

EXAMPLE: PART# 6SGBN2A* – 1/4" HB OUTLET X 0.5" AUTOWELD RUN INLET ZERO STATIC TEE INLINE BLEED VALVE

6 S G B N 2 A _ _ _ 0 _ _ _



NOTE:

Custom end connections available on request. Please contact a sales representative.

VITON® is a registered trademark of DuPont Performance Elastomers.
KALTRAZ® is a registered trademark of Advant O Seal.

SANITARY ZERO STATIC TEE INLINE BLEED VALVES – SOLID HANDLE – SPARES

BLEED VALVE SPARE SEALS FOR STEM CAN BE ORDERED IN TWO PACKAGING TYPES DEPENDING ON INVENTORY REQUIREMENTS TO SUIT CUSTOMER NEEDS.

SEALS FOR STEM						
SEAL MATERIAL			PART #			
			SET	KIT		
TEFLON® TIP	TEFLON® TIP	— EPDM O-RING	6S0003M	— SET	6S0003M	— KIT
	TEFLON® TIP	— VITON O-RING	6S0003N	— SET	6S0003N	— KIT
	TEFLON® TIP	— RED SIL. O-RING	6S0003P	— SET	6S0003P	— KIT
	TEFLON® TIP	— CLR. SIL. O-RING	6S0003Q	— SET	6S0003Q	— KIT
	TEFLON® TIP	— KALTRAZ O-RING	6S0003K	— SET	6S0003K	— KIT
ELASTOMER TIP	EPDM TIP	— EPDM O-RING	6S0002M	— SET	6S0002M	— KIT
	VITON® TIP	— VITON® O-RING	6S0002N	— SET	6S0002N	— KIT
	RED SIL. TIP	— RED SIL. O-RING	6S0002P	— SET	6S0002P	— KIT
	CLR SIL. TIP	— CLR. SIL. O-RING	6S0002Q	— SET	6S0002Q	— KIT
	KALTRAZ® TIP	— KALTRAZ® O-RING	6S0002K	— SET	6S0002K	— KIT

NOTES:

- 1 SET CONTAINS = (1) TIP, (1) O-RING, (1) DOWEL PIN
- 1 KIT CONTAINS = (5) TIPS, (5) O-RINGS, (5) DOWEL PINS

STEM			
OUTLET	TIP	FINISH	
		20 RA	15 RA/EP
1/4" HB	TEFLON® TIP	6JBMWBADB	6JBMWBAMB
	ELASTOMER TIP	6JBMWTADB	6JBMWTAMB

NOTES:

- ELASTOMER IS USED AS A REFERENCE FOR MATERIALS LIKE EPDM, VITON®, RED SILICONE, CLEAR SILICONE AND KALTRAZ®

HANDLE	
HANDLE COLOR	PART #
RED	6B000DS — R
ORANGE	6B000DS — Z
YELLOW	6B000DS — Y
GREEN	6B000DS — G
BLUE	6B000DS — B
WHITE	6B000DS — W
BLACK	6B000DG — O

LOCK SCREWS	
PART#	6B000HA

NOTES:

- 1 UNIT = (3) LOCK SCREWS + (1) ALLEN WRENCH

O-RING LUBE	
PART#	6Z0009

NOTES:

- PLEASE REFER TO FLT O-RING LUBE DATA SHEET FOR SPECIFICATION