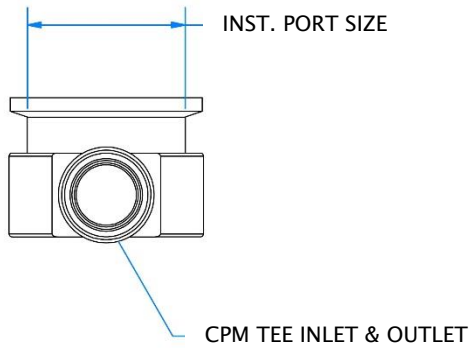
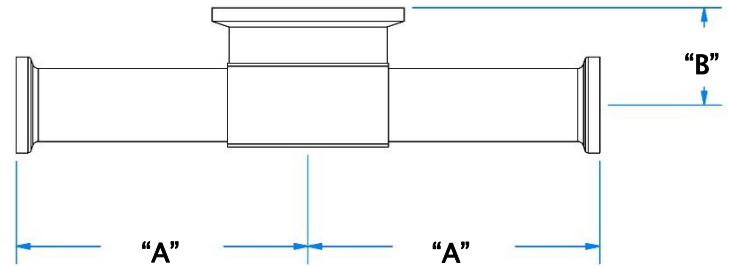


**CPM TEE - TC INLET & OUTLET**



**FRONT VIEW**

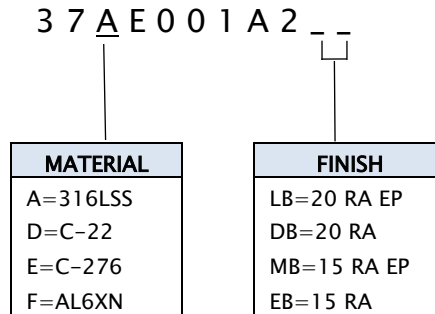


**SIDE VIEW**

CPM TEE - TC INLET & OUTLET							
INST PORT SIZE	CPM TEE INLET & OUTLET			PART #	"A" DIM	"B" DIM	
1" (MINI)	1/4"	TC	X	TC	<b>37AE001A2*</b>	2.13"	0.75"
	3/8"	TC	X	TC	37AE001B2	2.13"	0.81"
	1/2"	TC	X	TC	37AE001C2	2.63"	0.88"
1-1/2" (STANDARD)	1/4"	TC	X	TC	37AF001A2	2.13"	0.75"
	3/8"	TC	X	TC	37AF001B2	2.13"	0.81"
	1/2"	TC	X	TC	37AF001C2	2.63"	0.88"
	3/4"	TC	X	TC	37AF001D2	2.63"	1.00"
	1"	TC	X	TC	37AF001E2	2.38"	1.13"
	1-1/2"	TC	X	TC	37AF001F2	2.75"	1.38"
	2"	TC	X	TC	37AF001G2	3.50"	1.63"
	2-1/2"	TC	X	TC	37AF001H2	3.50"	1.88"
	3"	TC	X	TC	37AF001J2	3.50"	2.13"
4"	TC	X	TC	37AF001K2	3.50"	2.63"	

## CPM TEE – TC INLET & OUTLET CONFIGURATION

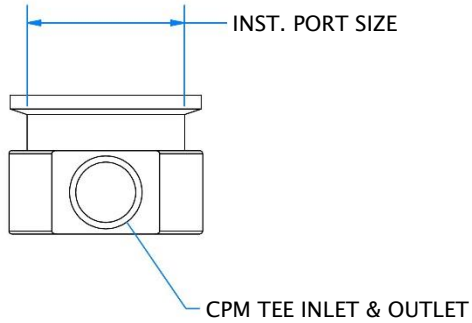
EXAMPLE: PART# 37AE001A2 \* – CPM TEE, 1" (MINI) INSTRUMENT PORT, 1/4" TC X TC INLET & OUTLET.



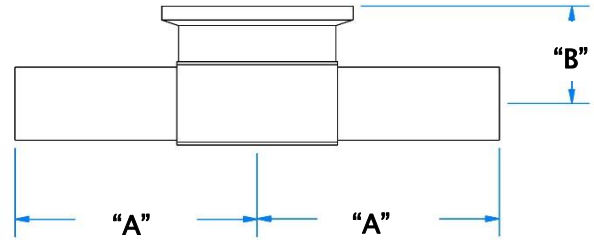
**NOTE:**

- PLEASE REFER TO THE "CPM MULTIPORTS" CATALOG FOR REDUCING SIZES AND DIFFERENT TYPES OF CONNECTIONS ON INLET & OUTLET.
- SPECIAL INSTRUMENT PORT SIZES AVAILABLE ON REQUEST. PLEASE CONTACT SALES REPRESENTATIVE.

**CPM TEE - AW INLET & OUTLET**



**FRONT VIEW**

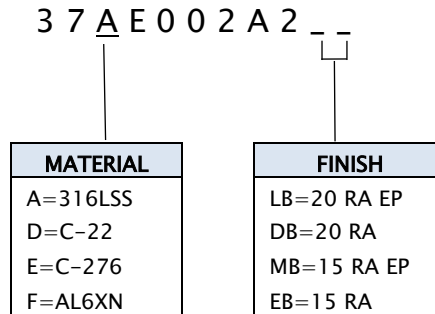


**SIDE VIEW**

CPM TEE - AW INLET & OUTLET							
INST. PORT SIZE	CPM TEE INLET & OUTLET			PART #	"A" DIM	"B" DIM	
1" (MINI)	1/4"	AW	X	AW	<b>37AE002A2*</b>	2.50"	0.75"
	3/8"	AW	X	AW	37AE002B2	2.50"	0.81"
	1/2"	AW	X	AW	37AE002C2	2.50"	0.88"
1-1/2" (STANDARD)	1/4"	AW	X	AW	37AF002A2	2.50"	0.75"
	3/8"	AW	X	AW	37AF002B2	2.50"	0.81"
	1/2"	AW	X	AW	37AF002C2	2.50"	0.88"
	3/4"	AW	X	AW	37AF002D2	2.50"	1.00"
	1"	AW	X	AW	37AF002E2	2.50"	1.13"
	1-1/2"	AW	X	AW	37AF002F2	2.50"	1.38"
	2"	AW	X	AW	37AF002G2	3.00"	1.63"
	2-1/2"	AW	X	AW	37AF002H2	4.00"	1.88"
	3"	AW	X	AW	37AF002J2	5.00"	2.13"
4"	AW	X	AW	37AF002K2	6.00"	2.63"	

## CPM TEE – AW INLET & OUTLET CONFIGURATION

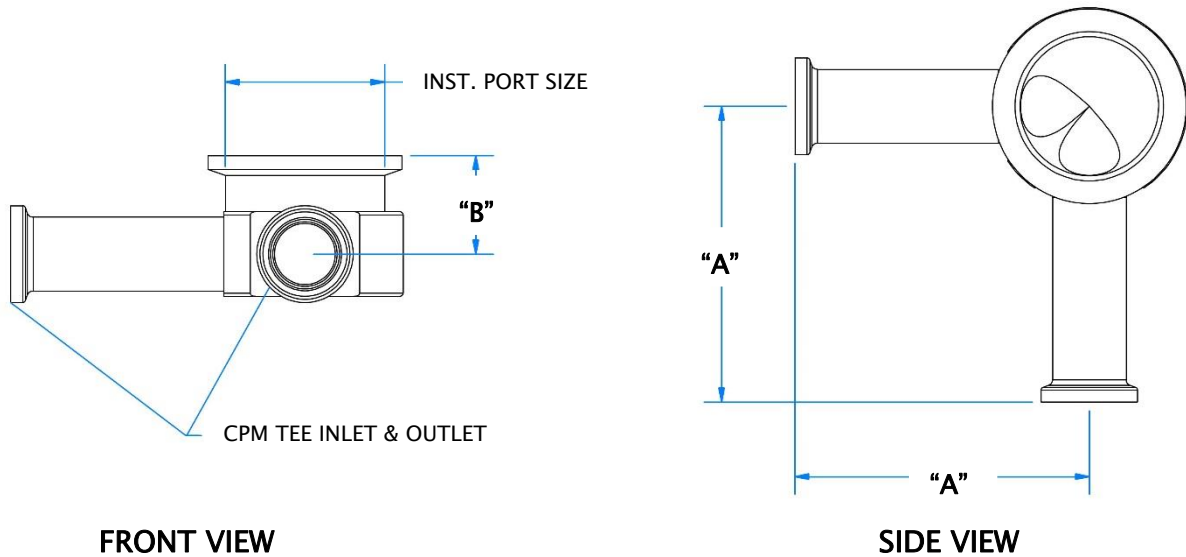
EXAMPLE: PART# 37AE002A2 \* – CPM TEE, 1" (MINI) INSTRUMENT PORT, 1/4" AW X AW INLET & OUTLET.



**NOTE:**

- PLEASE REFER TO THE "CPM MULTIPORTS" CATALOG FOR REDUCING SIZES AND DIFFERENT TYPES OF CONNECTIONS ON INLET & OUTLET.
- SPECIAL INSTRUMENT PORT SIZES AVAILABLE ON REQUEST. PLEASE CONTACT SALES REPRESENTATIVE.

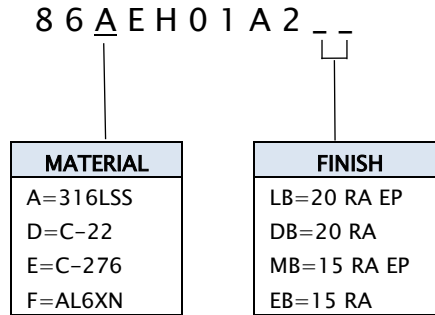
**CPM HORIZONTAL ELBOW- TC INLET & OUTLET**



CPM HORIZONTAL ELBOW - TC INLET & OUTLET							
INST PORT SIZE	CPM ELBOW	INLET	&	OUTLET	PART #	"A" DIM	"B" DIM
1" (MINI)	1/4"	TC	X	TC	<b>86AEH01A2*</b>	2.13"	0.75"
	3/8"	TC	X	TC	86AEH01B2	2.13"	0.81"
	1/2"	TC	X	TC	86AEH01C2	2.63"	0.88"
1-1/2" (STANDARD)	1/4"	TC	X	TC	86AFH01A2	2.13"	0.75"
	3/8"	TC	X	TC	86AFH01B2	2.13"	0.81"
	1/2"	TC	X	TC	86AFH01C2	2.63"	0.88"
	3/4"	TC	X	TC	86AFH01D2	2.63"	1.00"
	1"	TC	X	TC	86AFH01E2	2.38"	1.13"
	1-1/2"	TC	X	TC	86AFH01F2	2.75"	1.38"
	2"	TC	X	TC	86AFH01G2	3.50"	1.63"
	2-1/2"	TC	X	TC	86AFH01H2	3.50"	1.88"
	3"	TC	X	TC	86AFH01J2	3.50"	2.13"
4"	TC	X	TC	86AFH01K2	3.50"	2.63"	

## CPM HORIZONTAL ELBOW – TC INLET & OUTLET CONFIGURATION

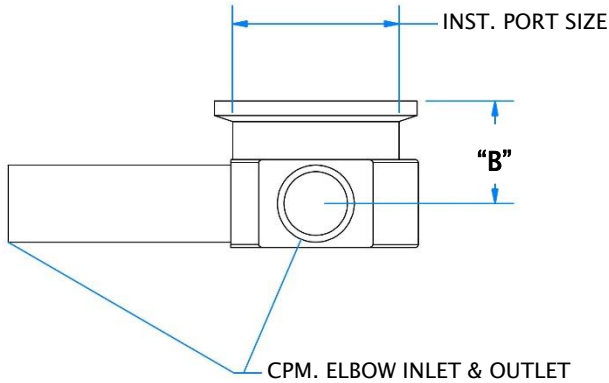
EXAMPLE: PART# **86AEH01A2** \* – CPM HORIZONTAL ELBOW, 1" (MINI) INSTRUMENT PORT, 1/4" TC X TC INLET & OUTLET.



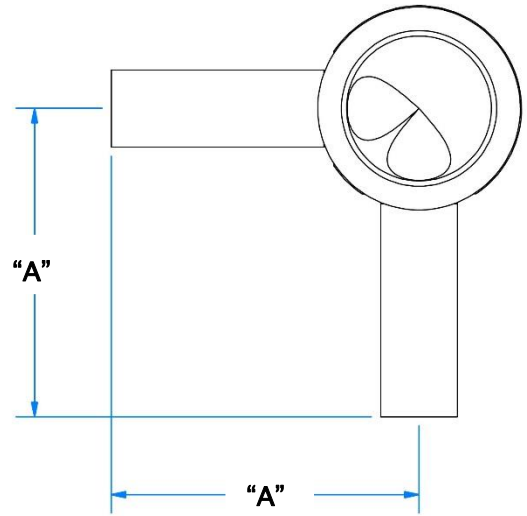
**NOTE:**

- PLEASE REFER TO THE "CPM MULTIPORTS" CATALOG FOR REDUCING SIZES AND DIFFERENT TYPES OF CONNECTIONS ON INLET & OUTLET.
- SPECIAL INSTRUMENT PORT SIZES AVAILABLE ON REQUEST. PLEASE CONTACT SALES REPRESENTATIVE.

**CPM HORIZONTAL ELBOW - AW INLET & OUTLET**



**FRONT VIEW**

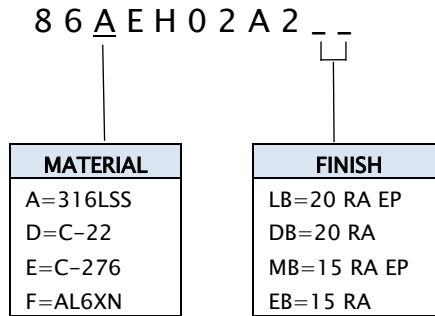


**SIDE VIEW**

CPM HORIZONTAL ELBOW - AW INLET & OUTLET							
INST. PORT SIZE	CPM TEE INLET & OUTLET			PART #	"A" DIM	"B" DIM	
1" (MINI)	1/4"	AW	X	AW	<b>86AEH02A2*</b>	2.50"	0.75"
	3/8"	AW	X	AW	86AEH02B2	2.50"	0.81"
	1/2"	AW	X	AW	86AEH02C2	2.50"	0.88"
1-1/2" (STANDARD)	1/4"	AW	X	AW	86AFH02A2	2.50"	0.75"
	3/8"	AW	X	AW	86AFH02B2	2.50"	0.81"
	1/2"	AW	X	AW	86AFH02C2	2.50"	0.88"
	3/4"	AW	X	AW	86AFH02D2	2.50"	1.00"
	1"	AW	X	AW	86AFH02E2	2.50"	1.13"
	1-1/2"	AW	X	AW	86AFH02F2	2.50"	1.38"
	2"	AW	X	AW	86AFH02G2	3.00"	1.63"
	2-1/2"	AW	X	AW	86AFH02H2	4.00"	1.88"
	3"	AW	X	AW	86AFH02J2	5.00"	2.13"
4"	AW	X	AW	86AFH02K2	6.00"	2.63"	

## CPM HORIZONTAL ELBOW – AW INLET & OUTLET CONFIGURATION

EXAMPLE: PART# **86AEH02A2** \* – CPM HORIZONTAL ELBOW, 1" (MINI) INSTRUMENT PORT, 1/4" AW X AW INLET & OUTLET.

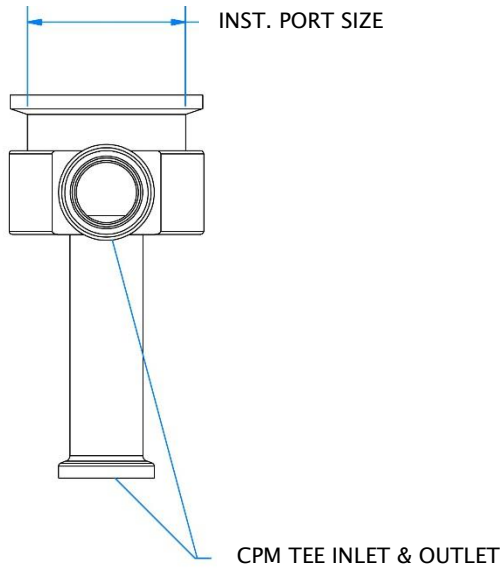


**NOTE:**

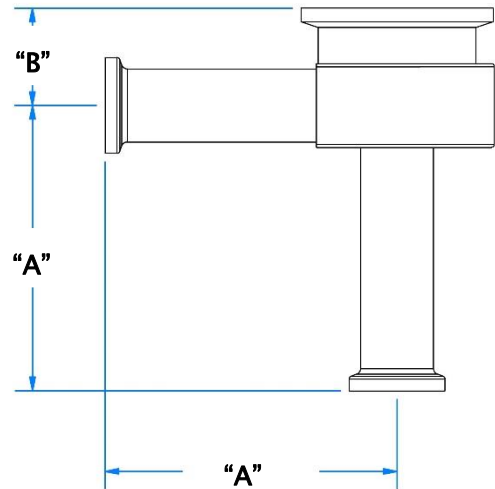
- PLEASE REFER TO THE "CPM MULTIPORTS" CATALOG FOR REDUCING SIZES AND DIFFERENT TYPES OF CONNECTIONS ON INLET & OUTLET.
- SPECIAL INSTRUMENT PORT SIZES AVAILABLE ON REQUEST. PLEASE CONTACT SALES REPRESENTATIVE.



**CPM VERTICAL ELBOW- TC INLET & OUTLET**



**FRONT VIEW**

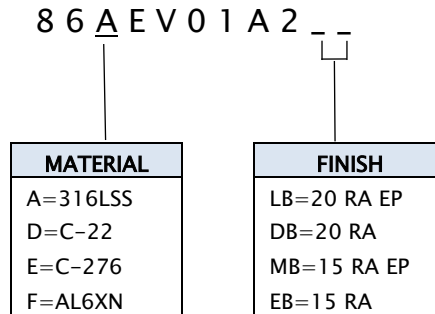


**SIDE VIEW**

CPM VERTICAL ELBOW - TC INLET & OUTLET							
INST PORT SIZE	CPM ELBOW	INLET	&	OUTLET	PART #	"A" DIM	"B" DIM
1" (MINI)	1/4"	TC	X	TC	<b>86AEV01A2*</b>	2.13"	0.75"
	3/8"	TC	X	TC	86AEV01B2	2.13"	0.81"
	1/2"	TC	X	TC	86AEV01C2	2.63"	0.88"
1-1/2" (STANDARD)	1/4"	TC	X	TC	86AFV01A2	2.13"	0.75"
	3/8"	TC	X	TC	86AFV01B2	2.13"	0.81"
	1/2"	TC	X	TC	86AFV01C2	2.63"	0.88"
	3/4"	TC	X	TC	86AFV01D2	2.63"	1.00"
	1"	TC	X	TC	86AFV01E2	2.38"	1.13"
	1-1/2"	TC	X	TC	86AFV01F2	2.75"	1.38"
	2"	TC	X	TC	86AFV01G2	3.50"	1.63"
	2-1/2"	TC	X	TC	86AFV01H2	3.50"	1.88"
	3"	TC	X	TC	86AFV01J2	3.50"	2.13"
4"	TC	X	TC	86AFV01K2	3.50"	2.63"	

## CPM VERTICAL ELBOW – TC INLET & OUTLET CONFIGURATION

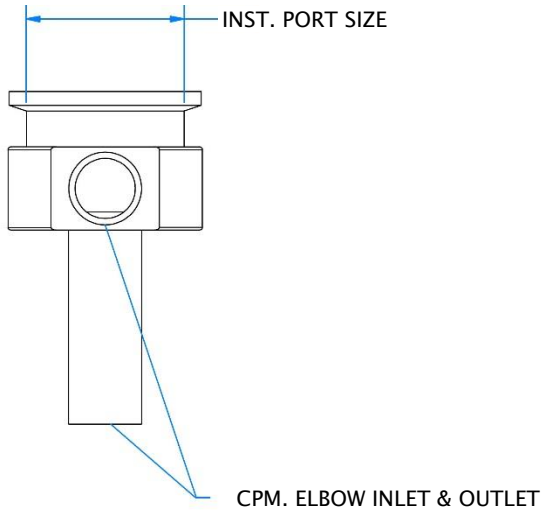
EXAMPLE: PART# **86AEV01A2** \* – CPM VERTICAL ELBOW, 1" (MINI) INSTRUMENT PORT, 1/4" TC X TC INLET & OUTLET.



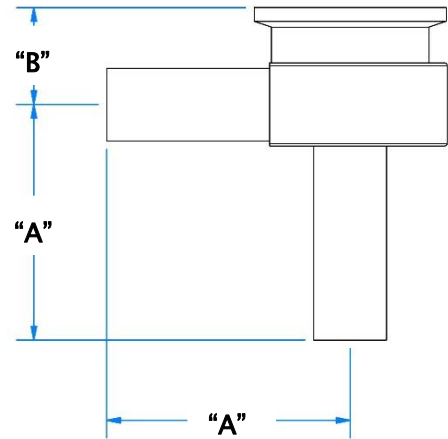
**NOTE:**

- PLEASE REFER TO THE “CPM MULTIPORTS” CATALOG FOR REDUCING SIZES AND DIFFERENT TYPES OF CONNECTIONS ON INLET & OUTLET.
- SPECIAL INSTRUMENT PORT SIZES AVAILABLE ON REQUEST. PLEASE CONTACT SALES REPRESENTATIVE.

**CPM VERTICAL ELBOW – AW INLET & OUTLET**



**FRONT VIEW**

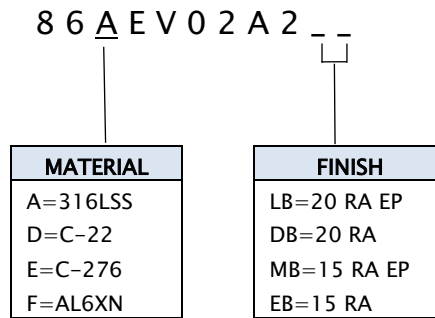


**SIDE VIEW**

CPM VERTICAL ELBOW – AW INLET & OUTLET							
INST. PORT SIZE	CPM TEE	INLET	&	OUTLET	PART #	“A” DIM	“B” DIM
1” (MINI)	1/4”	AW	X	AW	<b>86AEV02A2*</b>	2.50”	0.75”
	3/8”	AW	X	AW	86AEV02B2	2.50”	0.81”
	1/2”	AW	X	AW	86AEV02C2	2.50”	0.88”
1-1/2” (STANDARD)	1/4”	AW	X	AW	86AFV02A2	2.50”	0.75”
	3/8”	AW	X	AW	86AFV02B2	2.50”	0.81”
	1/2”	AW	X	AW	86AFV02C2	2.50”	0.88”
	3/4”	AW	X	AW	86AFV02D2	2.50”	1.00”
	1”	AW	X	AW	86AFV02E2	2.50”	1.13”
	1-1/2”	AW	X	AW	86AFV02F2	2.50”	1.38”
	2”	AW	X	AW	86AFV02G2	3.00”	1.63”
	2-1/2”	AW	X	AW	86AFV02H2	4.00”	1.88”
	3”	AW	X	AW	86AFV02J2	5.00”	2.13”
4”	AW	X	AW	86AFV02K2	6.00”	2.63”	

## CPM VERTICAL ELBOW – AW INLET & OUTLET CONFIGURATION

EXAMPLE: PART# **86AEV02A2** \* – CPM VERTICAL ELBOW, 1" (MINI) INSTRUMENT PORT, 1/4" AW X AW INLET & OUTLET.



**NOTE:**

- PLEASE REFER TO THE "CPM MULTIPORTS" CATALOG FOR REDUCING SIZES AND DIFFERENT TYPES OF CONNECTIONS ON INLET & OUTLET.
- SPECIAL INSTRUMENT PORT SIZES AVAILABLE ON REQUEST. PLEASE CONTACT SALES REPRESENTATIVE.