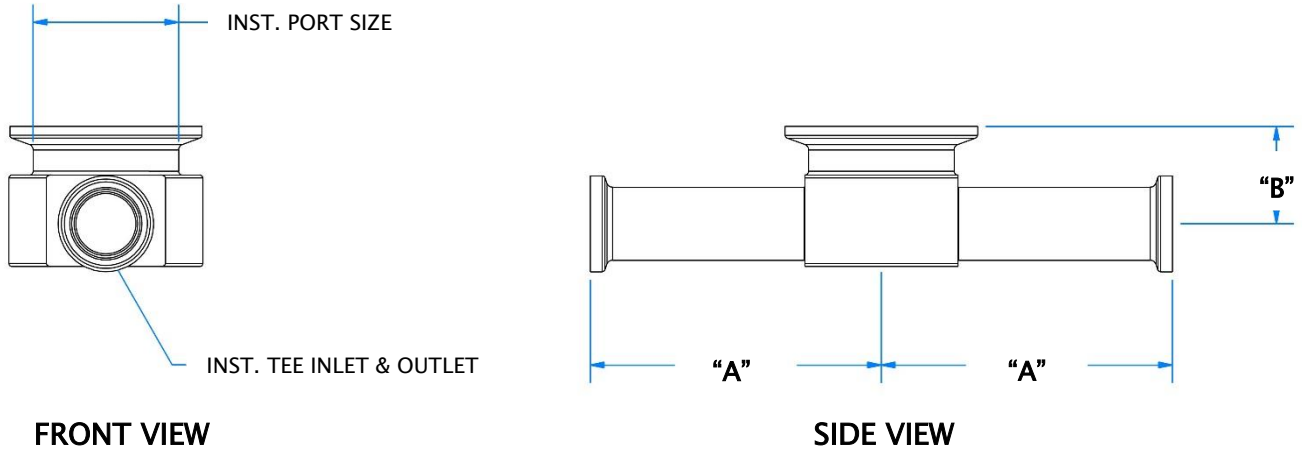


**INSTRUMENTATION TEE - TC INLET & OUTLET**

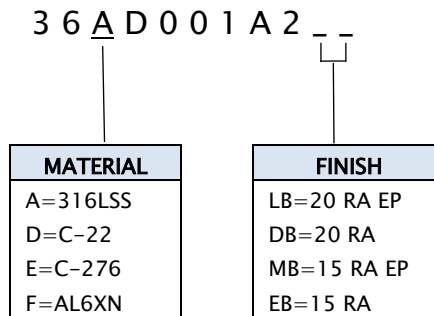


INSTRUMENTATION TEE - TC INLET & OUTLET							
INST. PORT SIZE	INST. TEE INLET & OUTLET			PART #	"A" DIM	"B" DIM	
3/4" TC	1/4"	TC	X	TC	<b>36AD001A2*</b>	1.56" *	0.75"
	3/8"	TC	X	TC	36AD001B2	1.56"	0.81"
	1/2"	TC	X	TC	36AD001C2	1.56"	0.88"
	3/4"	TC	X	TC	36AD001D2	1.63"	1.00"
	1"	TC	X	TC	36AD001E2	1.63"	1.13"
	1-1/2"	TC	X	TC	36AD001F2	1.75"	1.38"
	2"	TC	X	TC	36AD001G2	1.75"	1.63"
1" TC	1/4"	TC	X	TC	36AE001A2	2.13"	0.75"
	3/8"	TC	X	TC	36AE001B2	2.13"	0.81"
	1/2"	TC	X	TC	36AE001C2	3.00"	0.88"
	3/4"	TC	X	TC	36AE001D2	3.00"	1.00"
	1"	TC	X	TC	36AE001E2	3.00"	1.13"
	1-1/2"	TC	X	TC	36AE001F2	3.00"	1.38"
	2"	TC	X	TC	36AE001G2	3.00"	1.63"
1-1/2" TC	1/4"	TC	X	TC	36AF001A2	2.13"	0.75"
	3/8"	TC	X	TC	36AF001B2	2.13"	0.81"
	1/2"	TC	X	TC	36AF001C2	3.00"	0.88"
	3/4"	TC	X	TC	36AF001D2	3.00"	1.00"
	1"	TC	X	TC	36AF001E2	3.00"	1.13"
	1-1/2"	TC	X	TC	36AF001F2	3.00"	1.38"
	2"	TC	X	TC	36AF001G2	3.00"	1.63"
	2-1/2"	TC	X	TC	36AF001H2	3.00"	1.88"
	3"	TC	X	TC	36AF001J2	3.00"	2.13"
4"	TC	X	TC	36AF001K2	3.00"	2.63"	

INSTRUMENTATION TEE, TC INLET & OUTLET							
INST. PORT SIZE	INST. TEE INLET & OUTLET			PART #	"A" DIM	"B" DIM	
2" TC	1/4"	TC	X	TC	36AG001A2	2.38"	0.88"
	3/8"	TC	X	TC	36AG001B2	2.38"	0.94"
	1/2"	TC	X	TC	36AG001C2	3.25"	1.00"
	3/4"	TC	X	TC	36AG001D2	3.25"	1.13"
	1"	TC	X	TC	36AG001E2	3.25"	1.25"
	1-1/2"	TC	X	TC	36AG001F2	3.25"	1.50"
	2"	TC	X	TC	36AG001G2	3.25"	1.75"
	2-1/2"	TC	X	TC	36AG001H2	3.25"	2.00"
	3"	TC	X	TC	36AG001J2	3.25"	2.25"
	4"	TC	X	TC	36AG001K2	3.25"	2.75"

### INSTRUMENTATION TEE - TC INLET & OUTLET CONFIGURATION

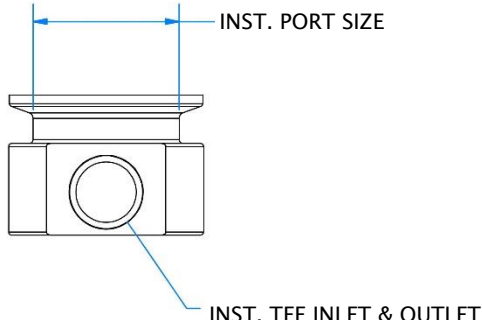
EXAMPLE: PART# 36AD001A2 \* - INSTRUMENTATION TEE, 3/4" TC INSTRUMENT PORT, 1/4" TC X TC INLET & OUTLET.



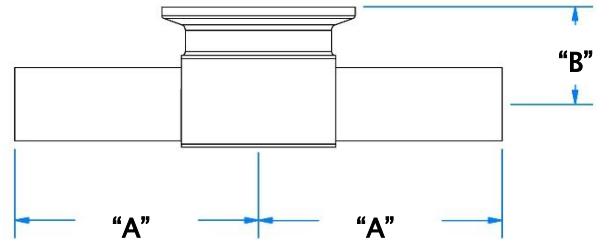
**NOTE:**

- PLEASE REFER TO THE "INSTRUMENTATION MULTIPOINTS" CATALOG FOR REDUCING SIZES AND DIFFERENT TYPES OF CONNECTIONS ON INLET & OUTLET.

## INSTRUMENTATION TEE – AW INLET & OUTLET



FRONT VIEW



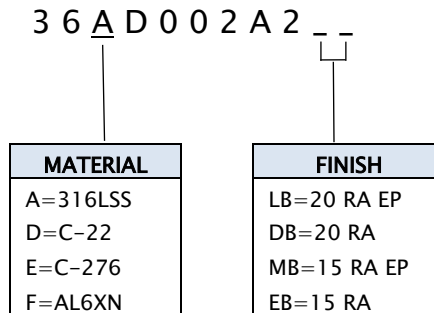
SIDE VIEW

INSTRUMENTATION TEE – AW INLET & OUTLET							
INST. PORT SIZE	INST. TEE INLET & OUTLET			PART #	"A" DIM	"B" DIM	
3/4" TC	1/4"	AW	X	AW	<b>36AD002A2*</b>	2.00"	0.75"
	3/8"	AW	X	AW	36AD002B2	2.00"	0.81"
	1/2"	AW	X	AW	36AD002C2	2.00"	0.88"
	3/4"	AW	X	AW	36AD002D2	2.00"	1.00"
	1"	AW	X	AW	36AD002E2	2.00"	1.13"
	1-1/2"	AW	X	AW	36AD002F2	2.00"	1.38"
	2"	AW	X	AW	36AD002G2	2.50"	1.63"
1" TC	1/4"	AW	X	AW	36AE002A2	2.50"	0.75"
	3/8"	AW	X	AW	36AE002B2	2.50"	0.81"
	1/2"	AW	X	AW	36AE002C2	2.50"	0.88"
	3/4"	AW	X	AW	36AE002D2	2.50"	1.00"
	1"	AW	X	AW	36AE002E2	2.50"	1.13"
	1-1/2"	AW	X	AW	36AE002F2	2.50"	1.38"
	2"	AW	X	AW	36AE002G2	3.00"	1.63"
1-1/2" TC	1/4"	AW	X	AW	36AF002A2	2.50"	0.75"
	3/8"	AW	X	AW	36AF002B2	2.50"	0.81"
	1/2"	AW	X	AW	36AF002C2	2.50"	0.88"
	3/4"	AW	X	AW	36AF002D2	2.50"	1.00"
	1"	AW	X	AW	36AF002E2	2.50"	1.13"
	1-1/2"	AW	X	AW	36AF002F2	2.50"	1.38"
	2"	AW	X	AW	36AF002G2	3.00"	1.63"
	2-1/2"	AW	X	AW	36AF002H2	4.00"	1.88"
	3"	AW	X	AW	36AF002J2	5.00"	2.13"
4"	AW	X	AW	36AF002K2	6.00"	2.63"	

INSTRUMENTATION TEE, AW INLET & OUTLET							
INST. PORT SIZE	INST. TEE INLET & OUTLET			PART #	"A" DIM	"B" DIM	
2" TC	1/4"	AW	X	AW	36AG002A2	2.75"	0.88"
	3/8"	AW	X	AW	36AG002B2	2.75"	0.94"
	1/2"	AW	X	AW	36AG002C2	2.75"	1.00"
	3/4"	AW	X	AW	36AG002D2	2.75"	1.13"
	1"	AW	X	AW	36AG002E2	2.75"	1.25"
	1-1/2"	AW	X	AW	36AG002F2	2.75"	1.50"
	2"	AW	X	AW	36AG002G2	3.25"	1.75"
	2-1/2"	AW	X	AW	36AG002H2	4.25"	2.00"
	3"	AW	X	AW	36AG002J2	5.25"	2.25"
	4"	AW	X	AW	36AG002K2	6.25"	2.75"

### INSTRUMENTATION TEE – AW INLET & OUTLET CONFIGURATION

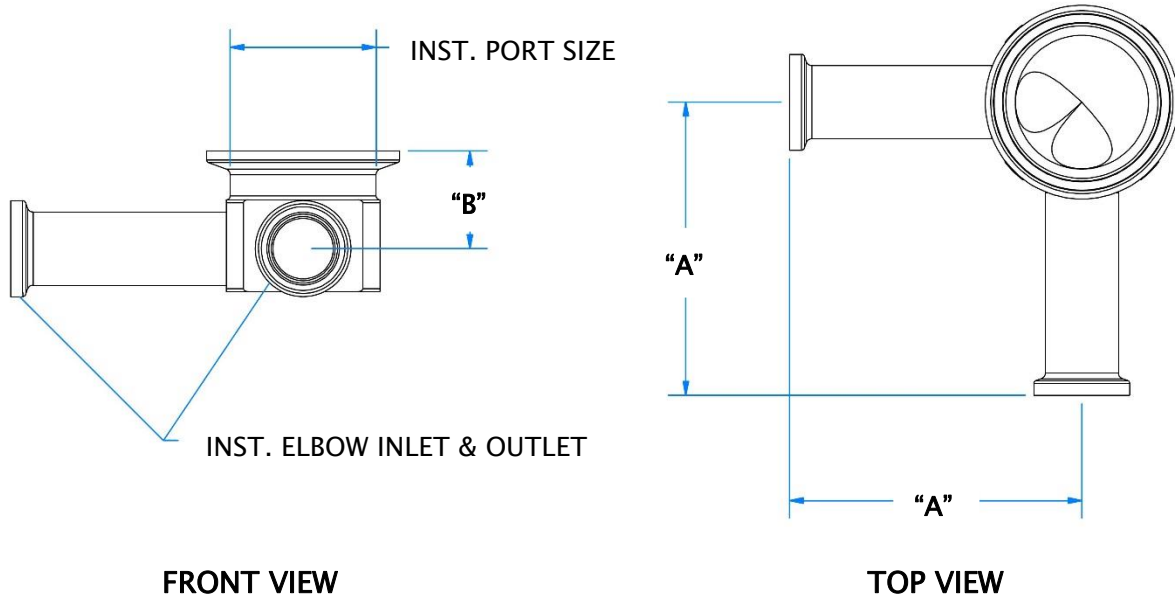
EXAMPLE: PART# 36AD002A2 \* – INSTRUMENTATION TEE, 3/4" TC INSTRUMENT PORT, 1/4" AW X AW INLET & OUTLET.



**NOTE:**

- PLEASE REFER TO THE "INSTRUMENTATION MULTIPORTS" CATALOG FOR REDUCING SIZES AND DIFFERENT TYPES OF CONNECTIONS ON INLET & OUTLET.

**INSTRUMENTATION HORIZONTAL ELBOW – TC INLET & OUTLET**

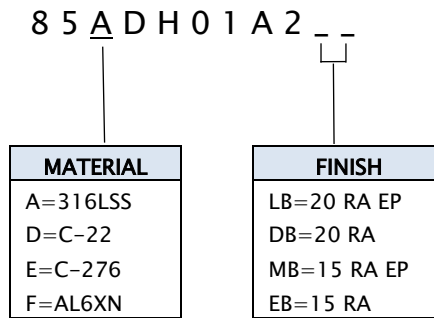


INSTRUMENTATION HORIZONTAL ELBOW – TC INLET & OUTLET							
INST. PORT SIZE	INST. ELBOW INLET & OUTLET			PART #	"A" DIM	"B" DIM	
3/4" TC	1/4"	TC	X	TC	85ADH01A2*	1.56"	0.75"
	3/8"	TC	X	TC	85ADH01B2	1.56"	0.81"
	1/2"	TC	X	TC	85ADH01C2	1.56"	0.88"
	3/4"	TC	X	TC	85ADH01D2	1.63"	1.00"
	1"	TC	X	TC	85ADH01E2	1.63"	1.13"
	1-1/2"	TC	X	TC	85ADH01F2	1.75"	1.38"
	2"	TC	X	TC	85ADH01G2	1.75"	1.63"
1" TC	1/4"	TC	X	TC	85AEH01A2	2.13"	0.75"
	3/8"	TC	X	TC	85AEH01B2	2.13"	0.81"
	1/2"	TC	X	TC	85AEH01C2	3.00"	0.88"
	3/4"	TC	X	TC	85AEH01D2	3.00"	1.00"
	1"	TC	X	TC	85AEH01E2	3.00"	1.13"
	1-1/2"	TC	X	TC	85AEH01F2	3.00"	1.38"
	2"	TC	X	TC	85AEH01G2	3.00"	1.63"
1-1/2" TC	1/4"	TC	X	TC	85AFH01A2	2.13"	0.75"
	3/8"	TC	X	TC	85AFH01B2	2.13"	0.81"
	1/2"	TC	X	TC	85AFH01C2	3.00"	0.88"
	3/4"	TC	X	TC	85AFH01D2	3.00"	1.00"
	1"	TC	X	TC	85AFH01E2	3.00"	1.13"
	1-1/2"	TC	X	TC	85AFH01F2	3.00"	1.38"
	2"	TC	X	TC	85AFH01G2	3.00"	1.63"
	2-1/2"	TC	X	TC	85AFH01H2	3.00"	1.88"
	3"	TC	X	TC	85AFH01J2	3.00"	2.13"
4"	TC	X	TC	85AFH01K2	3.00"	2.63"	

INSTRUMENTATION HORIZONTAL ELBOW, TC INLET & OUTLET							
INST. PORT SIZE	INST. ELBOW	INLET	&	OUTLET	PART #	"A" DIM	"B" DIM
2" TC	1/4"	TC	X	TC	85AGH01A2	2.38"	0.88"
	3/8"	TC	X	TC	85AGH01B2	2.38"	0.94"
	1/2"	TC	X	TC	85AGH01C2	3.25"	1.00"
	3/4"	TC	X	TC	85AGH01D2	3.25"	1.13"
	1"	TC	X	TC	85AGH01E2	3.25"	1.25"
	1-1/2"	TC	X	TC	85AGH01F2	3.25"	1.50"
	2"	TC	X	TC	85AGH01G2	3.25"	1.75"
	2-1/2"	TC	X	TC	85AGH01H2	3.25"	2.00"
	3"	TC	X	TC	85AGH01J2	3.25"	2.25"
	4"	TC	X	TC	85AGH01K2	3.25"	2.75"

### INSTRUMENTATION HORIZONTAL ELBOW – TC INLET & OUTLET CONFIGURATION

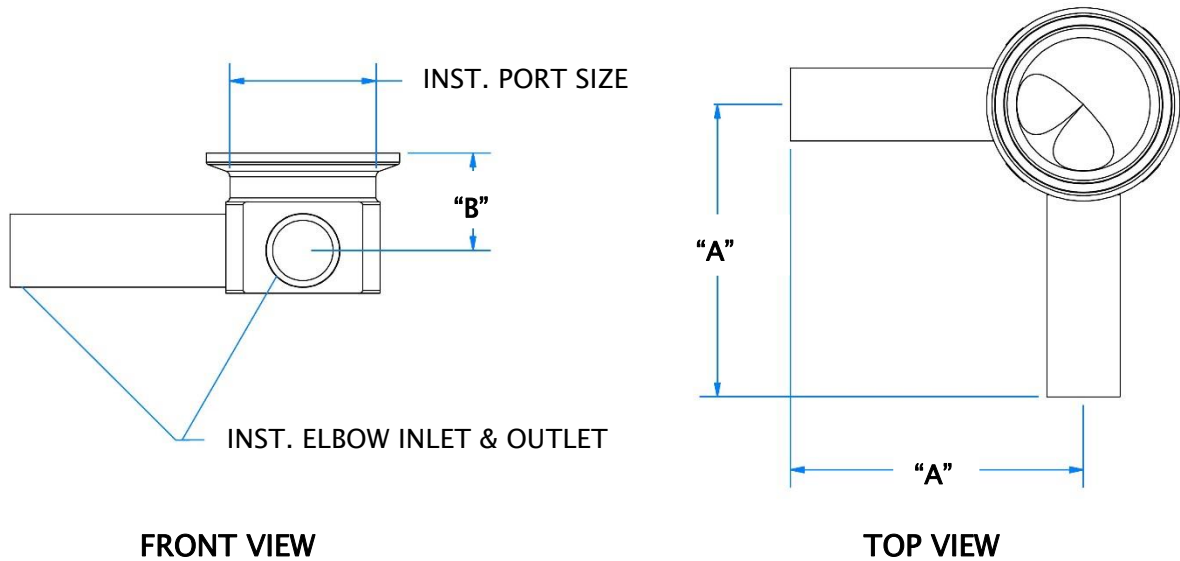
EXAMPLE: PART# 85ADH01A2 \* – INSTRUMENTATION HORIZONTAL ELBOW, 3/4" TC INSTRUMENT PORT, 1/4" TC X TC INLET & OUTLET.



**NOTE:**

- PLEASE REFER TO THE "INSTRUMENTATION MULTIPORTS" CATALOG FOR REDUCING SIZES AND DIFFERENT TYPES OF CONNECTIONS ON INLET & OUTLET.

## INSTRUMENTATION HORIZONTAL ELBOW – AW INLET & OUTLET

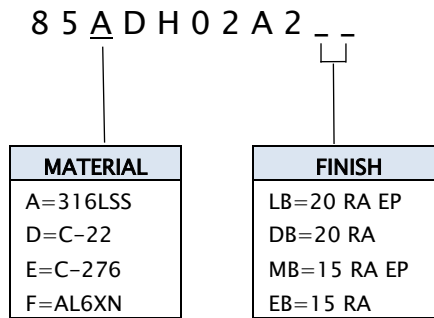


INSTRUMENTATION HORIZONTAL ELBOW – AW INLET & OUTLET							
INST. PORT SIZE	INST. ELBOW INLET & OUTLET			PART #	"A" DIM	"B" DIM	
3/4" TC	1/4"	AW	X	AW	85ADH02A2*	2.00"	0.75"
	3/8"	AW	X	AW	85ADH02B2	2.00"	0.81"
	1/2"	AW	X	AW	85ADH02C2	2.00"	0.88"
	3/4"	AW	X	AW	85ADH02D2	2.00"	1.00"
	1"	AW	X	AW	85ADH02E2	2.00"	1.13"
	1-1/2"	AW	X	AW	85ADH02F2	2.00"	1.38"
	2"	AW	X	AW	85ADH02G2	2.50"	1.63"
1" TC	1/4"	AW	X	AW	85AEH02A2	2.50"	0.75"
	3/8"	AW	X	AW	85AEH02B2	2.50"	0.81"
	1/2"	AW	X	AW	85AEH02C2	2.50"	0.88"
	3/4"	AW	X	AW	85AEH02D2	2.50"	1.00"
	1"	AW	X	AW	85AEH02E2	2.50"	1.13"
	1-1/2"	AW	X	AW	85AEH02F2	2.50"	1.38"
	2"	AW	X	AW	85AEH02G2	3.00"	1.63"
1-1/2" TC	1/4"	AW	X	AW	85AFH02A2	2.50"	0.75"
	3/8"	AW	X	AW	85AFH02B2	2.50"	0.81"
	1/2"	AW	X	AW	85AFH02C2	2.50"	0.88"
	3/4"	AW	X	AW	85AFH02D2	2.50"	1.00"
	1"	AW	X	AW	85AFH02E2	2.50"	1.13"
	1-1/2"	AW	X	AW	85AFH02F2	2.50"	1.38"
	2"	AW	X	AW	85AFH02G2	3.00"	1.63"
	2-1/2"	AW	X	AW	85AFH02H2	4.00"	1.88"
	3"	AW	X	AW	85AFH02J2	5.00"	2.13"
4"	AW	X	AW	85AFH02K2	6.00"	2.63"	

INSTRUMENTATION HORIZONTAL ELBOW, AW INLET & OUTLET							
INST. PORT SIZE	INST. ELBOW	INLET	&	OUTLET	PART #	"A" DIM	"B" DIM
2" TC	1/4"	AW	X	AW	85AGH02A2	2.75"	0.88"
	3/8"	AW	X	AW	85AGH02B2	2.75"	0.94"
	1/2"	AW	X	AW	85AGH02C2	2.75"	1.00"
	3/4"	AW	X	AW	85AGH02D2	2.75"	1.13"
	1"	AW	X	AW	85AGH02E2	2.75"	1.25"
	1-1/2"	AW	X	AW	85AGH02F2	2.75"	1.50"
	2"	AW	X	AW	85AGH02G2	3.25"	1.75"
	2-1/2"	AW	X	AW	85AGH02H2	4.25"	2.00"
	3"	AW	X	AW	85AGH02J2	5.25"	2.25"
	4"	AW	X	AW	85AGH02K2	6.25"	2.75"

### INSTRUMENTATION HORIZONTAL ELBOW – AW INLET & OUTLET CONFIGURATION

EXAMPLE: PART# 85ADH02A2 \* – INSTRUMENTATION HORIZONTAL ELBOW, 3/4" TC INSTRUMENT PORT, 1/4" AW X AW INLET & OUTLET.

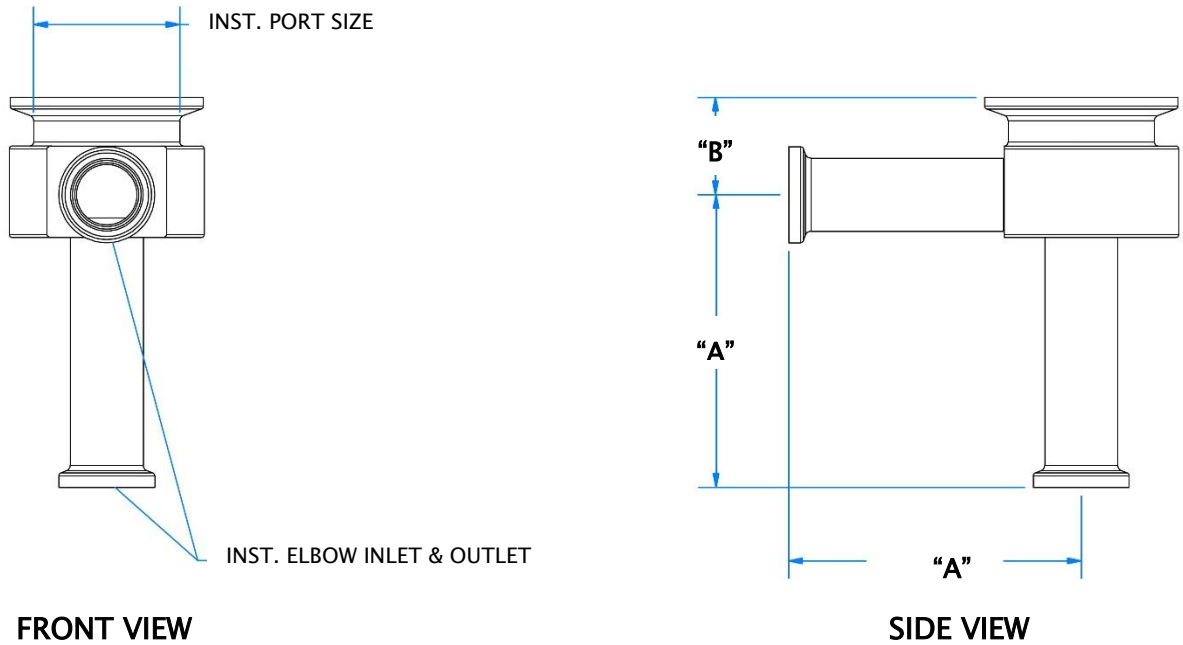


NOTE:

- PLEASE REFER TO THE "INSTRUMENTATION MULTIPORTS" CATALOG FOR REDUCING SIZES AND DIFFERENT TYPES OF CONNECTIONS ON INLET & OUTLET.



**INSTRUMENTATION VERTICAL ELBOW - TC INLET & OUTLET**

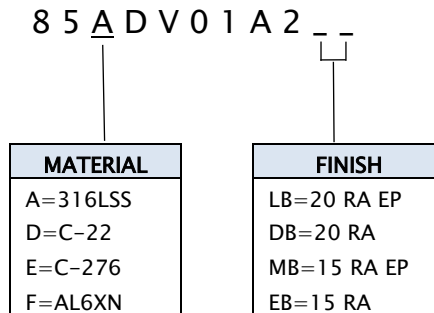


INSTRUMENTATION VERTICAL ELBOW - TC INLET & OUTLET							
INST. PORT SIZE	INST. ELBOW INLET	&	OUTLET	PART #	"A" DIM	"B" DIM	
3/4" TC	1/4"	TC	X	TC	85ADV01A2*	1.56"	0.75"
	3/8"	TC	X	TC	85ADV01B2	1.56"	0.81"
	1/2"	TC	X	TC	85ADV01C2	1.56"	0.88"
	3/4"	TC	X	TC	85ADV01D2	1.63"	1.00"
	1"	TC	X	TC	85ADV01E2	1.63"	1.13"
	1-1/2"	TC	X	TC	85ADV01F2	1.75"	1.38"
	2"	TC	X	TC	85ADV01G2	1.75"	1.63"
1" TC	1/4"	TC	X	TC	85AEV01A2	2.13"	0.75"
	3/8"	TC	X	TC	85AEV01B2	2.13"	0.81"
	1/2"	TC	X	TC	85AEV01C2	3.00"	0.88"
	3/4"	TC	X	TC	85AEV01D2	3.00"	1.00"
	1"	TC	X	TC	85AEV01E2	3.00"	1.13"
	1-1/2"	TC	X	TC	85AEV01F2	3.00"	1.38"
	2"	TC	X	TC	85AEV01G2	3.00"	1.63"
1-1/2" TC	1/4"	TC	X	TC	85AFV01A2	2.13"	0.75"
	3/8"	TC	X	TC	85AFV01B2	2.13"	0.81"
	1/2"	TC	X	TC	85AFV01C2	3.00"	0.88"
	3/4"	TC	X	TC	85AFV01D2	3.00"	1.00"
	1"	TC	X	TC	85AFV01E2	3.00"	1.13"
	1-1/2"	TC	X	TC	85AFV01F2	3.00"	1.38"
	2"	TC	X	TC	85AFV01G2	3.00"	1.63"
	2-1/2"	TC	X	TC	85AFV01H2	3.00"	1.88"
	3"	TC	X	TC	85AFV01J2	3.00"	2.13"
4"	TC	X	TC	85AFV01K2	3.00"	2.63"	

INSTRUMENTATION VERTICAL ELBOW, TC INLET & OUTLET							
INST. PORT SIZE	INST. ELBOW	INLET	&	OUTLET	PART #	"A" DIM	"B" DIM
2" TC	1/4"	TC	X	TC	85AGV01A2	2.38"	0.88"
	3/8"	TC	X	TC	85AGV01B2	2.38"	0.94"
	1/2"	TC	X	TC	85AGV01C2	3.25"	1.00"
	3/4"	TC	X	TC	85AGV01D2	3.25"	1.13"
	1"	TC	X	TC	85AGV01E2	3.25"	1.25"
	1-1/2"	TC	X	TC	85AGV01F2	3.25"	1.50"
	2"	TC	X	TC	85AGV01G2	3.25"	1.75"
	2-1/2"	TC	X	TC	85AGV01H2	3.25"	2.00"
	3"	TC	X	TC	85AGV01J2	3.25"	2.25"
	4"	TC	X	TC	85AGV01K2	3.25"	2.75"

### INSTRUMENTATION VERTICAL ELBOW – TC INLET & OUTLET CONFIGURATION

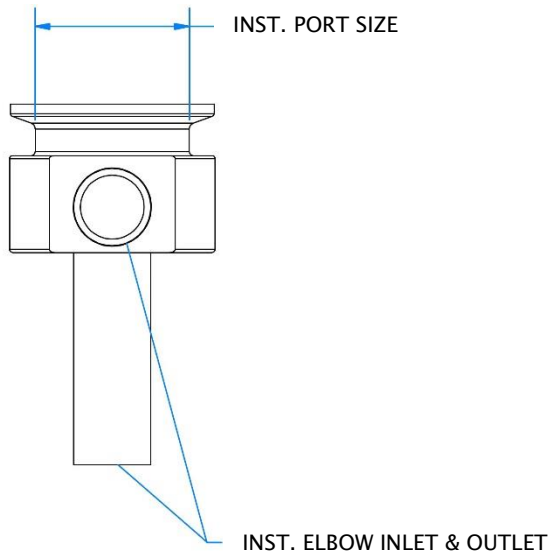
EXAMPLE: PART# 85ADV01A2 \* – INSTRUMENTATION VERTICAL ELBOW, 3/4" TC INSTRUMENT PORT, 1/4" TC X TC INLET & OUTLET.



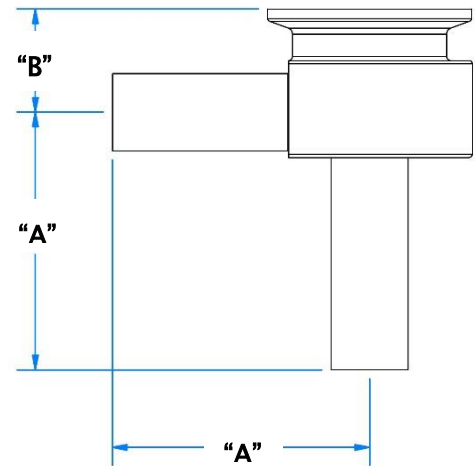
**NOTE:**

- PLEASE REFER TO THE "INSTRUMENTATION MULTIPOINTS" CATALOG FOR REDUCING SIZES AND DIFFERENT TYPES OF CONNECTIONS ON INLET & OUTLET.

## INSTRUMENTATION VERTICAL ELBOW – AW INLET & OUTLET



**FRONT VIEW**



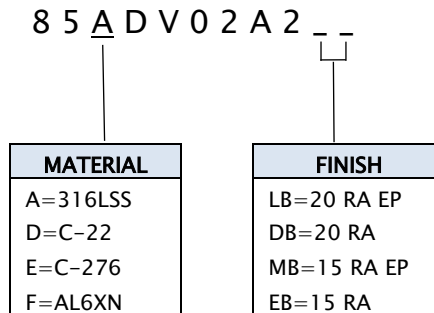
**SIDE VIEW**

INSTRUMENTATION VERTICAL ELBOW – AW INLET & OUTLET							
INST. PORT SIZE	INST. ELBOW	INLET	&	OUTLET	PART #	“A” DIM	“B” DIM
3/4" TC	1/4"	AW	X	AW	85ADV02A2*	2.00"	0.75"
	3/8"	AW	X	AW	85ADV02B2	2.00"	0.81"
	1/2"	AW	X	AW	85ADV02C2	2.00"	0.88"
	3/4"	AW	X	AW	85ADV02D2	2.00"	1.00"
	1"	AW	X	AW	85ADV02E2	2.00"	1.13"
	1-1/2"	AW	X	AW	85ADV02F2	2.00"	1.38"
	2"	AW	X	AW	85ADV02G2	2.50"	1.63"
1" TC	1/4"	AW	X	AW	85AEV02A2	2.50"	0.75"
	3/8"	AW	X	AW	85AEV02B2	2.50"	0.81"
	1/2"	AW	X	AW	85AEV02C2	2.50"	0.88"
	3/4"	AW	X	AW	85AEV02D2	2.50"	1.00"
	1"	AW	X	AW	85AEV02E2	2.50"	1.13"
	1-1/2"	AW	X	AW	85AEV02F2	2.50"	1.38"
	2"	AW	X	AW	85AEV02G2	3.00"	1.63"
1-1/2" TC	1/4"	AW	X	AW	85AFV02A2	2.50"	0.75"
	3/8"	AW	X	AW	85AFV02B2	2.50"	0.81"
	1/2"	AW	X	AW	85AFV02C2	2.50"	0.88"
	3/4"	AW	X	AW	85AFV02D2	2.50"	1.00"
	1"	AW	X	AW	85AFV02E2	2.50"	1.13"
	1-1/2"	AW	X	AW	85AFV02F2	2.50"	1.38"
	2"	AW	X	AW	85AFV02G2	3.00"	1.63"
	2-1/2"	AW	X	AW	85AFV02H2	4.00"	1.88"
	3"	AW	X	AW	85AFV02J2	5.00"	2.13"
4"	AW	X	AW	85AFV02K2	6.00"	2.63"	

INSTRUMENTATION VERTICAL ELBOW, AW INLET & OUTLET							
INST. PORT SIZE	INST. ELBOW	INLET	&	OUTLET	PART #	"A" DIM	"B" DIM
2" TC	1/4"	AW	X	AW	85AGV02A2	2.75"	0.88"
	3/8"	AW	X	AW	85AGV02B2	2.75"	0.94"
	1/2"	AW	X	AW	85AGV02C2	2.75"	1.00"
	3/4"	AW	X	AW	85AGV02D2	2.75"	1.13"
	1"	AW	X	AW	85AGV02E2	2.75"	1.25"
	1-1/2"	AW	X	AW	85AGV02F2	2.75"	1.50"
	2"	AW	X	AW	85AGV02G2	3.25"	1.75"
	2-1/2"	AW	X	AW	85AGV02H2	4.25"	2.00"
	3"	AW	X	AW	85AGV02J2	5.25"	2.25"
	4"	AW	X	AW	85AGV02K2	6.25"	2.75"

### INSTRUMENTATION VERTICAL ELBOW – AW INLET & OUTLET CONFIGURATION

EXAMPLE: PART# 85ADV02A2 \* – INSTRUMENTATION VERTICAL ELBOW, 3/4" TC INSTRUMENT PORT, 1/4" AW X AW INLET & OUTLET.



**NOTE:**

- PLEASE REFER TO THE "INSTRUMENTATION MULTIPORTS" CATALOG FOR REDUCING SIZES AND DIFFERENT TYPES OF CONNECTIONS ON INLET & OUTLET.