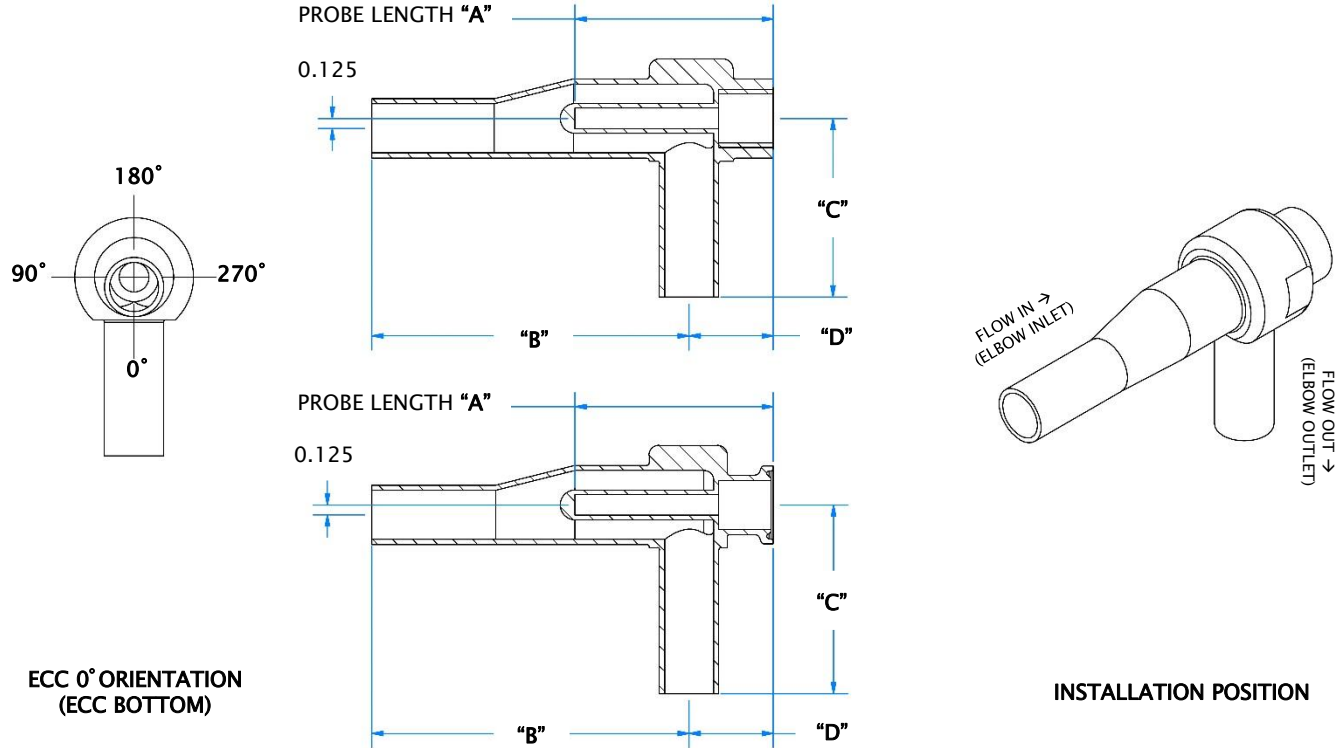


0.5" & 0.75" THERMOWELL ELBOW ECCENTRIC - 0 DEGREE

THE REDUCED INLET DESIGN FOR 0.5" & 0.75" THERMOWELL ELBOW WILL ALLOW MINIMAL PRESSURE DROP AND EXCELLENT IMMERSION BY OFFERING A PROCESS TUBE SIZE REDUCED FROM A LARGER BODY. THE REDUCED INLET ECCENTRIC - 0 DEGREE IS CONFIGURED FOR THE INSTALLATION POSITION BELOW TO ENSURE GRAVITY DRAINABILITY WHEN SUFFICIENT LINE SLOPE IS PROVIDED. FNPT AND TC INSTRUMENT PORT OPTIONS ARE PROVIDED TO ACCOMMODATE POPULAR SANITARY RTDS AND THERMOCOUPLES IN PHARMACEUTICAL INDUSTRY.



2.5" PROBE LENGTH									
INST. PORT	ELBOW INLET & OUTLET				PART #	"A" DIM	"B" DIM	"C" DIM	"D" DIM
1/2" FNPT	1/2"	AW	X	AW	7BBUBAD2A7N*	2.50"	4.00"	2.25"	0.94"
	3/4"	AW	X	AW	7BBYBAD2A7N	2.50"	4.00"	2.25"	1.06"
3/4" TC	1/2"	AW	X	AW	7BBUBCD2A7N	2.50"	4.00"	2.25"	0.94"
	3/4"	AW	X	AW	7BBYBCD2A7N	2.50"	4.00"	2.25"	1.06"
1.5" TC	1/2"	AW	X	AW	7BBUBED2A7N	2.50"	4.00"	2.25"	0.94"
	3/4"	AW	X	AW	7BBYBED2A7N	2.50"	4.00"	2.25"	1.06"

4.0" PROBE LENGTH									
INST. PORT	ELBOW INLET & OUTLET				PART #	"A" DIM	"B" DIM	"C" DIM	"D" DIM
1/2" FNPT	1/2"	AW	X	AW	7BBUBAG2A7N	4.00"	5.50"	2.25"	0.94"
	3/4"	AW	X	AW	7BBYBAG2A7N	4.00"	5.50"	2.25"	1.06"
3/4" TC	1/2"	AW	X	AW	7BBUBCG2A7N	4.00"	5.50"	2.25"	0.94"
	3/4"	AW	X	AW	7BBYBCG2A7N	4.00"	5.50"	2.25"	1.06"
1.5" TC	1/2"	AW	X	AW	7BBUBEG2A7N	4.00"	5.50"	2.25"	0.94"
	3/4"	AW	X	AW	7BBYBEG2A7N	4.00"	5.50"	2.25"	1.06"

4.5" PROBE LENGTH									
INST. PORT	ELBOW INLET & OUTLET				PART #	"A" DIM	"B" DIM	"C" DIM	"D" DIM
1/2" FNPT	1/2"	AW	X	AW	7BBUBAH2A7N	4.50"	6.00"	2.25"	0.94"
	3/4"	AW	X	AW	7BBYBAH2A7N	4.50"	6.00"	2.25"	1.06"
3/4" TC	1/2"	AW	X	AW	7BBUBCH2A7N	4.50"	6.00"	2.25"	0.94"
	3/4"	AW	X	AW	7BBYBCH2A7N	4.50"	6.00"	2.25"	1.06"
1.5" TC	1/2"	AW	X	AW	7BBUBEH2A7N	4.50"	6.00"	2.25"	0.94"
	3/4"	AW	X	AW	7BBYBEH2A7N	4.50"	6.00"	2.25"	1.06"

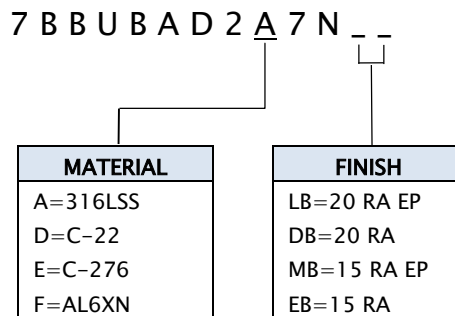
6.0" PROBE LENGTH									
INST. PORT	ELBOW INLET & OUTLET				PART #	"A" DIM	"B" DIM	"C" DIM	"D" DIM
1/2" FNPT	1/2"	AW	X	AW	7BBUBAL2A7N	6.00"	7.50"	2.25"	0.94"
	3/4"	AW	X	AW	7BBYBAL2A7N	6.00"	7.50"	2.25"	1.06"
3/4" TC	1/2"	AW	X	AW	7BBUBCL2A7N	6.00"	7.50"	2.25"	0.94"
	3/4"	AW	X	AW	7BBYBCL2A7N	6.00"	7.50"	2.25"	1.06"
1.5" TC	1/2"	AW	X	AW	7BBUBEL2A7N	6.00"	7.50"	2.25"	0.94"
	3/4"	AW	X	AW	7BBYBEL2A7N	6.00"	7.50"	2.25"	1.06"

NOTE:

- THERMOWELL ELBOW COMPLY WITH **ASME BPE DT-4-1, MJ-8.5-1, SF-2.2-1, SF-2.2-2(EP OPTION), SF-2.6-1.**
- THE PART NUMBERS LISTED ABOVE ARE FOR **316LSS** MATERIAL. PLEASE REFER TO PART NUMBER CONFIGURATOR FOR DIFFERENT MATERIAL SELECTION.
- **TC CONNECTION AND SPECIAL PROBE LENGTH** AVAILABLE ON REQUEST. PLEASE CONTACT SALES REPRESENTATIVE.

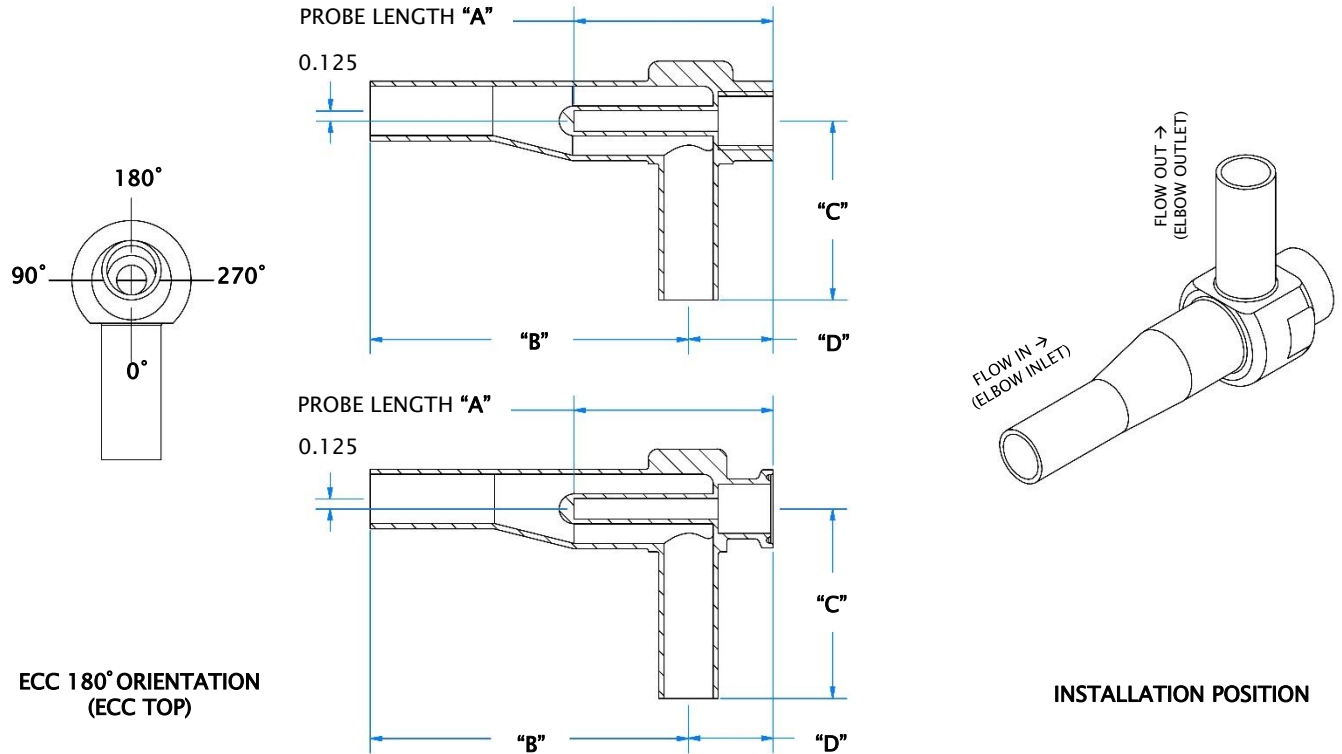
0.5" & 0.75" THERMOWELL ELBOW ECCENTRIC - 0 DEGREE CONFIGURATION

EXAMPLE: PART# **7BBUBAD2A7N***- THERMOWELL ELBOW, ECCENTRIC - 0 DEGREE, 2.5" PROBE LENGTH, 1/2" FNPT INSTRUMENT PORT, 1/2" AW X AW ELBOW INLET & OUTLET.



0.5" & 0.75" THERMOWELL ELBOW ECCENTRIC - 180 DEGREE

THE REDUCED INLET DESIGN FOR 0.5" & 0.75" THERMOWELL ELBOW WILL ALLOW MINIMAL PRESSURE DROP AND EXCELLENT IMMERSION BY OFFERING A PROCESS TUBE SIZE REDUCED FROM A LARGER BODY. THE REDUCED INLET ECCENTRIC - 180 DEGREE IS CONFIGURED FOR THE INSTALLATION POSITION BELOW TO ENSURE GRAVITY DRAINABILITY WHEN SUFFICIENT LINE SLOPE IS PROVIDED. FNPT AND TC INSTRUMENT PORT OPTIONS ARE PROVIDED TO ACCOMMODATE POPULAR SANITARY RTDS AND THERMOCOUPLES IN PHARMACEUTICAL INDUSTRY.



2.5" PROBE LENGTH									
INST. PORT	ELBOW INLET & OUTLET				PART #	"A" DIM	"B" DIM	"C" DIM	"D" DIM
1/2" FNPT	1/2"	AW	X	AW	7BBUCAD2A7N*	2.50"	4.00"	2.25"	0.94"
	3/4"	AW	X	AW	7BBYCAD2A7N	2.50"	4.00"	2.25"	1.06"
3/4" TC	1/2"	AW	X	AW	7BBUCD2A7N	2.50"	4.00"	2.25"	0.94"
	3/4"	AW	X	AW	7BBYCD2A7N	2.50"	4.00"	2.25"	1.06"
1.5" TC	1/2"	AW	X	AW	7BBUCED2A7N	2.50"	4.00"	2.25"	0.94"
	3/4"	AW	X	AW	7BBYCED2A7N	2.50"	4.00"	2.25"	1.06"

4.0" PROBE LENGTH									
INST. PORT	ELBOW INLET & OUTLET				PART #	"A" DIM	"B" DIM	"C" DIM	"D" DIM
1/2" FNPT	1/2"	AW	X	AW	7BBUCAG2A7N	4.00"	5.50"	2.25"	0.94"
	3/4"	AW	X	AW	7BBYCAG2A7N	4.00"	5.50"	2.25"	1.06"
3/4" TC	1/2"	AW	X	AW	7BBUCG2A7N	4.00"	5.50"	2.25"	0.94"
	3/4"	AW	X	AW	7BBYCG2A7N	4.00"	5.50"	2.25"	1.06"
1.5" TC	1/2"	AW	X	AW	7BBUCEG2A7N	4.00"	5.50"	2.25"	0.94"
	3/4"	AW	X	AW	7BBYCEG2A7N	4.00"	5.50"	2.25"	1.06"

4.5" PROBE LENGTH									
INST. PORT	ELBOW INLET & OUTLET				PART #	"A" DIM	"B" DIM	"C" DIM	"D" DIM
1/2" FNPT	1/2"	AW	X	AW	7BBUCAH2A7N	4.50"	6.00"	2.25"	0.94"
	3/4"	AW	X	AW	7BBYCAH2A7N	4.50"	6.00"	2.25"	1.06"
3/4" TC	1/2"	AW	X	AW	7BBUCCH2A7N	4.50"	6.00"	2.25"	0.94"
	3/4"	AW	X	AW	7BBYCCH2A7N	4.50"	6.00"	2.25"	1.06"
1.5" TC	1/2"	AW	X	AW	7BBUCEH2A7N	4.50"	6.00"	2.25"	0.94"
	3/4"	AW	X	AW	7BBYCEH2A7N	4.50"	6.00"	2.25"	1.06"

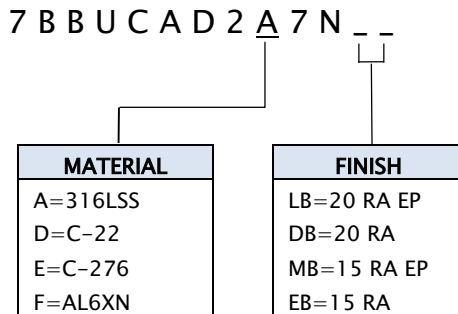
6.0" PROBE LENGTH									
INST. PORT	ELBOW INLET & OUTLET				PART #	"A" DIM	"B" DIM	"C" DIM	"D" DIM
1/2" FNPT	1/2"	AW	X	AW	7BBUCAL2A7N	6.00"	7.50"	2.25"	0.94"
	3/4"	AW	X	AW	7BBYCAL2A7N	6.00"	7.50"	2.25"	1.06"
3/4" TC	1/2"	AW	X	AW	7BBUCCL2A7N	6.00"	7.50"	2.25"	0.94"
	3/4"	AW	X	AW	7BBYCCCL2A7N	6.00"	7.50"	2.25"	1.06"
1.5" TC	1/2"	AW	X	AW	7BBUCEL2A7N	6.00"	7.50"	2.25"	0.94"
	3/4"	AW	X	AW	7BBYCEL2A7N	6.00"	7.50"	2.25"	1.06"

NOTE:

- THERMOWELL ELBOW COMPLY WITH **ASME BPE DT-4-1, MJ-8.5-1, SF-2.2-1, SF-2.2-2(EP OPTION), SF-2.6-1.**
- THE PART NUMBERS LISTED ABOVE ARE FOR **316LSS** MATERIAL. PLEASE REFER TO PART NUMBER CONFIGURATOR FOR DIFFERENT MATERIAL SELECTION.
- **TC CONNECTION AND SPECIAL PROBE LENGTH** AVAILABLE ON REQUEST. PLEASE CONTACT SALES REPRESENTATIVE.

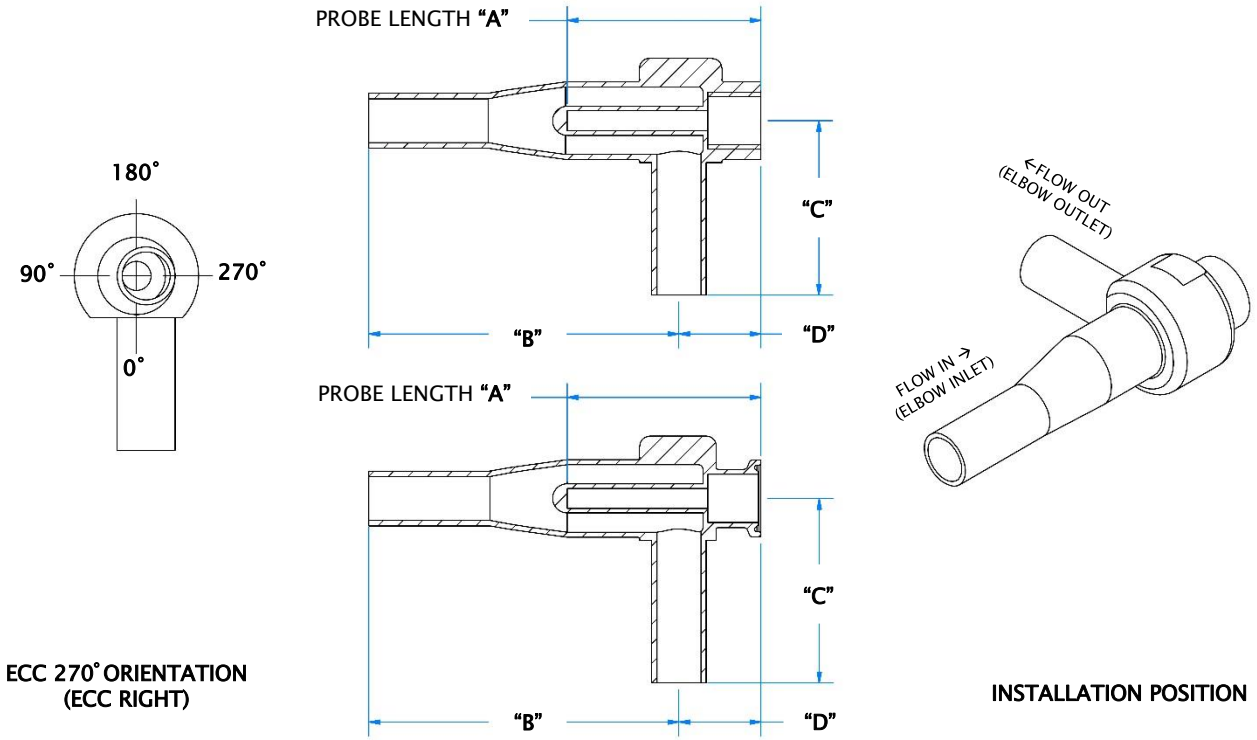
0.5" & 0.75" THERMOWELL ELBOW ECCENTRIC - 180 DEGREE CONFIGURATION

EXAMPLE: PART# **7BBUCAD2A7N***- THERMOWELL ELBOW, ECCENTRIC - 180 DEGREE, 2.5" PROBE LENGTH, 1/2" FNPT INSTRUMENT PORT, 1/2" AW X AW ELBOW INLET & OUTLET.



0.5" & 0.75" THERMOWELL ELBOW ECCENTRIC - 270 DEGREE

THE REDUCED INLET DESIGN FOR 0.5" & 0.75" THERMOWELL ELBOW WILL ALLOW MINIMAL PRESSURE DROP AND EXCELLENT IMMERSION BY OFFERING A PROCESS TUBE SIZE REDUCED FROM A LARGER BODY. THE REDUCED INLET ECCENTRIC - 270 DEGREE IS CONFIGURED FOR THE INSTALLATION POSITION BELOW TO ENSURE GRAVITY DRAINABILITY WHEN SUFFICIENT LINE SLOPE IS PROVIDED. FNPT AND TC INSTRUMENT PORT OPTIONS ARE PROVIDED TO ACCOMMODATE POPULAR SANITARY RTDS AND THERMOCOUPLES IN PHARMACEUTICAL INDUSTRY.



2.5" PROBE LENGTH									
INST. PORT	ELBOW INLET & OUTLET				PART #	"A" DIM	"B" DIM	"C" DIM	"D" DIM
1/2" FNPT	1/2"	AW	X	AW	7BBUEAD2A7N*	2.50"	4.00"	2.25"	0.94"
	3/4"	AW	X	AW	7BBYEAD2A7N	2.50"	4.00"	2.25"	1.06"
3/4" TC	1/2"	AW	X	AW	7BBUECD2A7N	2.50"	4.00"	2.25"	0.94"
	3/4"	AW	X	AW	7BBYECD2A7N	2.50"	4.00"	2.25"	1.06"
1.5" TC	1/2"	AW	X	AW	7BBUEED2A7N	2.50"	4.00"	2.25"	0.94"
	3/4"	AW	X	AW	7BBYEED2A7N	2.50"	4.00"	2.25"	1.06"

4.0" PROBE LENGTH									
INST. PORT	ELBOW INLET & OUTLET				PART #	"A" DIM	"B" DIM	"C" DIM	"D" DIM
1/2" FNPT	1/2"	AW	X	AW	7BBUEAG2A7N	4.00"	5.50"	2.25"	0.94"
	3/4"	AW	X	AW	7BBYEAG2A7N	4.00"	5.50"	2.25"	1.06"
3/4" TC	1/2"	AW	X	AW	7BBUECG2A7N	4.00"	5.50"	2.25"	0.94"
	3/4"	AW	X	AW	7BBYECG2A7N	4.00"	5.50"	2.25"	1.06"
1.5" TC	1/2"	AW	X	AW	7BBUEEG2A7N	4.00"	5.50"	2.25"	0.94"
	3/4"	AW	X	AW	7BBYEEG2A7N	4.00"	5.50"	2.25"	1.06"

4.5" PROBE LENGTH									
INST. PORT	ELBOW INLET & OUTLET				PART #	"A" DIM	"B" DIM	"C" DIM	"D" DIM
1/2" FNPT	1/2"	AW	X	AW	7BBUEAH2A7N	4.50"	6.00"	2.25"	0.94"
	3/4"	AW	X	AW	7BBYEAH2A7N	4.50"	6.00"	2.25"	1.06"
3/4" TC	1/2"	AW	X	AW	7BBUECH2A7N	4.50"	6.00"	2.25"	0.94"
	3/4"	AW	X	AW	7BBYECH2A7N	4.50"	6.00"	2.25"	1.06"
1.5" TC	1/2"	AW	X	AW	7BBUEEH2A7N	4.50"	6.00"	2.25"	0.94"
	3/4"	AW	X	AW	7BBYEEH2A7N	4.50"	6.00"	2.25"	1.06"

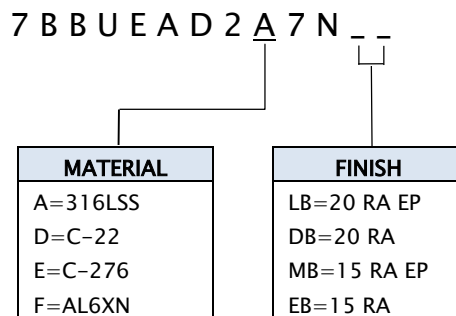
6.0" PROBE LENGTH									
INST. PORT	ELBOW INLET & OUTLET				PART #	"A" DIM	"B" DIM	"C" DIM	"D" DIM
1/2" FNPT	1/2"	AW	X	AW	7BBUEAL2A7N	6.00"	7.50"	2.25"	0.94"
	3/4"	AW	X	AW	7BBYEAL2A7N	6.00"	7.50"	2.25"	1.06"
3/4" TC	1/2"	AW	X	AW	7BBUECL2A7N	6.00"	7.50"	2.25"	0.94"
	3/4"	AW	X	AW	7BBYECL2A7N	6.00"	7.50"	2.25"	1.06"
1.5" TC	1/2"	AW	X	AW	7BBUEEL2A7N	6.00"	7.50"	2.25"	0.94"
	3/4"	AW	X	AW	7BBYEEL2A7N	6.00"	7.50"	2.25"	1.06"

NOTE:

- THERMOWELL ELBOW COMPLY WITH **ASME BPE DT-4-1, MJ-8.5-1, SF-2.2-1, SF-2.2-2(EP OPTION), SF-2.6-1.**
- THE PART NUMBERS LISTED ABOVE ARE FOR **316LSS** MATERIAL. PLEASE REFER TO PART NUMBER CONFIGURATOR FOR DIFFERENT MATERIAL SELECTION.
- **TC CONNECTION AND SPECIAL PROBE LENGTH** AVAILABLE ON REQUEST. PLEASE CONTACT SALES REPRESENTATIVE.

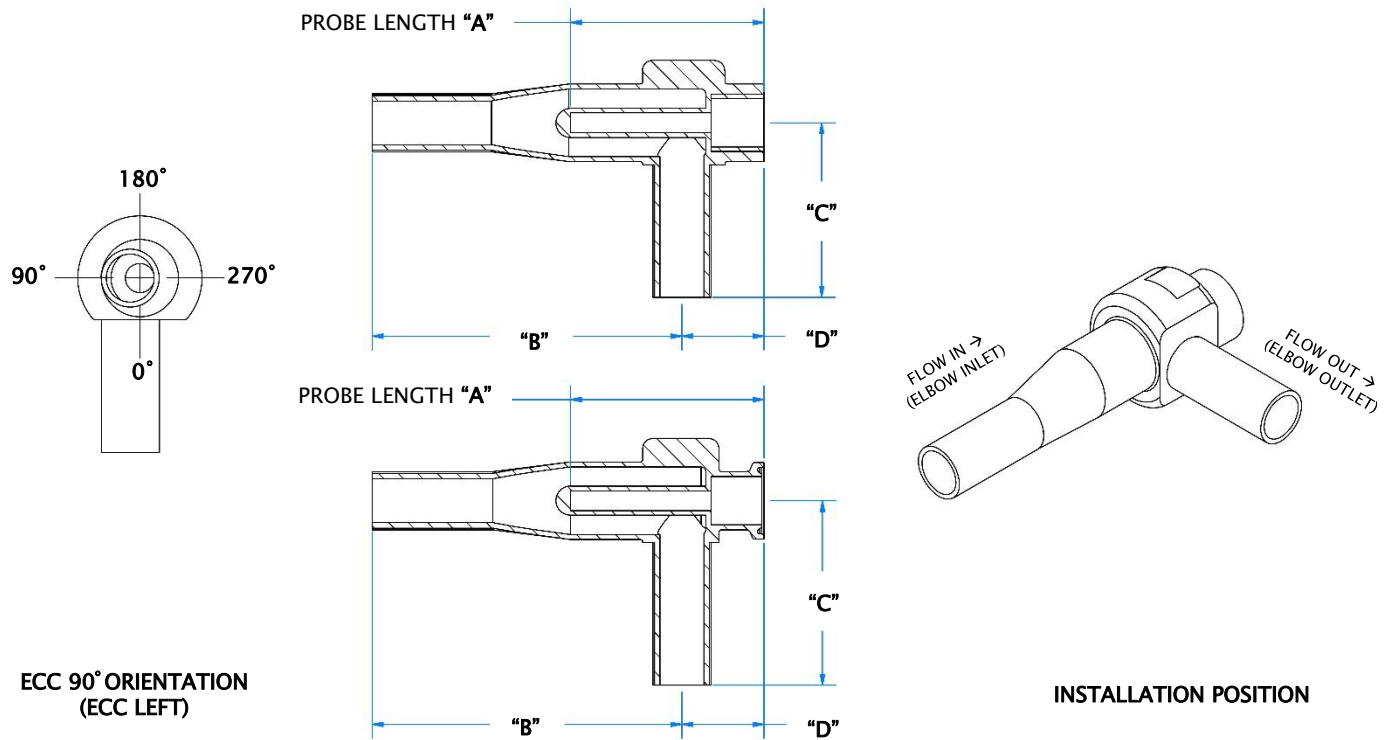
0.5" & 0.75" THERMOWELL ELBOW ECCENTRIC - 270 DEGREE CONFIGURATION

EXAMPLE: PART# **7BBUEAD2A7N***- THERMOWELL ELBOW, ECCENTRIC - 270 DEGREE, 2.5" **PROBE LENGTH**, 1/2" **FNPT INSTRUMENT PORT**, 1/2" **AW X AW ELBOW INLET & OUTLET.**



0.5" & 0.75" THERMOWELL ELBOW ECCENTRIC - 90 DEGREE

THE REDUCED INLET DESIGN FOR 0.5" & 0.75" THERMOWELL ELBOW WILL ALLOW MINIMAL PRESSURE DROP AND EXCELLENT IMMERSION BY OFFERING A PROCESS TUBE SIZE REDUCED FROM A LARGER BODY. THE REDUCED INLET ECCENTRIC - 90 DEGREE IS CONFIGURED FOR THE INSTALLATION POSITION BELOW TO ENSURE GRAVITY DRAINABILITY WHEN SUFFICIENT LINE SLOPE IS PROVIDED. FNPT AND TC INSTRUMENT PORT OPTIONS ARE PROVIDED TO ACCOMMODATE POPULAR SANITARY RTDS AND THERMOCOUPLES IN PHARMACEUTICAL INDUSTRY.



2.5" PROBE LENGTH									
INST. PORT	ELBOW INLET & OUTLET				PART #	"A" DIM	"B" DIM	"C" DIM	"D" DIM
1/2" FNPT	1/2"	AW	X	AW	7BBUDAD2A7N*	2.50"	4.00"	2.25"	0.94"
	3/4"	AW	X	AW	7BBYDAD2A7N	2.50"	4.00"	2.25"	1.06"
3/4" TC	1/2"	AW	X	AW	7BBUDCD2A7N	2.50"	4.00"	2.25"	0.94"
	3/4"	AW	X	AW	7BBYDCD2A7N	2.50"	4.00"	2.25"	1.06"
1.5" TC	1/2"	AW	X	AW	7BBUDED2A7N	2.50"	4.00"	2.25"	0.94"
	3/4"	AW	X	AW	7BBYDED2A7N	2.50"	4.00"	2.25"	1.06"

4.0" PROBE LENGTH									
INST. PORT	ELBOW INLET & OUTLET				PART #	"A" DIM	"B" DIM	"C" DIM	"D" DIM
1/2" FNPT	1/2"	AW	X	AW	7BBUDAG2A7N	4.00"	5.50"	2.25"	0.94"
	3/4"	AW	X	AW	7BBYDAG2A7N	4.00"	5.50"	2.25"	1.06"
3/4" TC	1/2"	AW	X	AW	7BBUDCG2A7N	4.00"	5.50"	2.25"	0.94"
	3/4"	AW	X	AW	7BBYDCG2A7N	4.00"	5.50"	2.25"	1.06"
1.5" TC	1/2"	AW	X	AW	7BBUDEG2A7N	4.00"	5.50"	2.25"	0.94"
	3/4"	AW	X	AW	7BBYDEG2A7N	4.00"	5.50"	2.25"	1.06"

4.5" PROBE LENGTH									
INST. PORT	ELBOW INLET & OUTLET				PART #	"A" DIM	"B" DIM	"C" DIM	"D" DIM
1/2" FNPT	1/2"	AW	X	AW	7BBUDAH2A7N	4.50"	6.00"	2.25"	0.94"
	3/4"	AW	X	AW	7BBYDAH2A7N	4.50"	6.00"	2.25"	1.06"
3/4" TC	1/2"	AW	X	AW	7BBUDCH2A7N	4.50"	6.00"	2.25"	0.94"
	3/4"	AW	X	AW	7BBYDCH2A7N	4.50"	6.00"	2.25"	1.06"
1.5" TC	1/2"	AW	X	AW	7BBUDEH2A7N	4.50"	6.00"	2.25"	0.94"
	3/4"	AW	X	AW	7BBYDEH2A7N	4.50"	6.00"	2.25"	1.06"

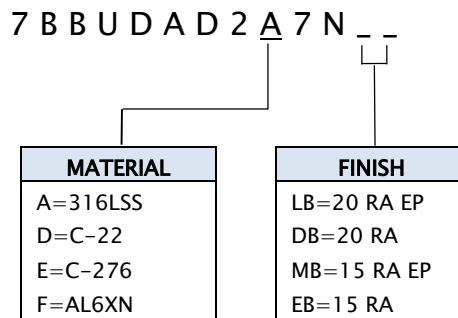
6.0" PROBE LENGTH									
INST. PORT	ELBOW INLET & OUTLET				PART #	"A" DIM	"B" DIM	"C" DIM	"D" DIM
1/2" FNPT	1/2"	AW	X	AW	7BBUDAL2A7N	6.00"	7.50"	2.25"	0.94"
	3/4"	AW	X	AW	7BBYDAL2A7N	6.00"	7.50"	2.25"	1.06"
3/4" TC	1/2"	AW	X	AW	7BBUDCL2A7N	6.00"	7.50"	2.25"	0.94"
	3/4"	AW	X	AW	7BBYDCL2A7N	6.00"	7.50"	2.25"	1.06"
1.5" TC	1/2"	AW	X	AW	7BBUDEL2A7N	6.00"	7.50"	2.25"	0.94"
	3/4"	AW	X	AW	7BBYDEL2A7N	6.00"	7.50"	2.25"	1.06"

NOTE:

- THERMOWELL ELBOW COMPLY WITH **ASME BPE DT-4-1, MJ-8.5-1, SF-2.2-1, SF-2.2-2(EP OPTION), SF-2.6-1.**
- THE PART NUMBERS LISTED ABOVE ARE FOR **316LSS** MATERIAL. PLEASE REFER TO PART NUMBER CONFIGURATOR FOR DIFFERENT MATERIAL SELECTION.
- **TC CONNECTION AND SPECIAL PROBE LENGTH** AVAILABLE ON REQUEST. PLEASE CONTACT SALES REPRESENTATIVE.

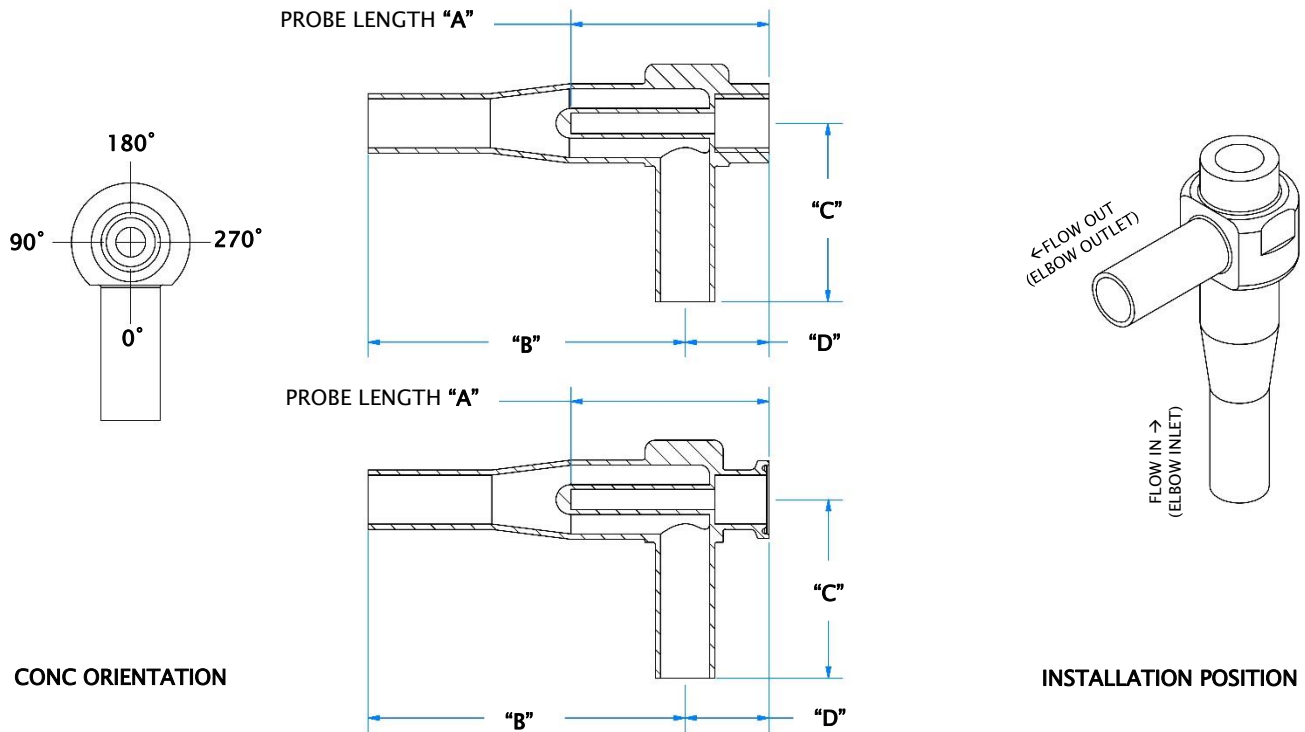
0.5" & 0.75" THERMOWELL ELBOW ECCENTRIC - 90 DEGREE CONFIGURATION

EXAMPLE: PART# **7BBUDAD2A7N***- THERMOWELL ELBOW, ECCENTRIC - 90 DEGREE, 2.5" **PROBE LENGTH**, 1/2" **FNPT INSTRUMENT PORT**, 1/2" **AW X AW ELBOW INLET & OUTLET.**



0.5" & 0.75" THERMOWELL ELBOW CONCENTRIC

THE REDUCED INLET DESIGN FOR 0.5" & 0.75" THERMOWELL ELBOW WILL ALLOW MINIMAL PRESSURE DROP AND EXCELLENT IMMERSION BY OFFERING A PROCESS TUBE SIZE REDUCED FROM A LARGER BODY. THE REDUCED INLET CONCENTRIC IS CONFIGURED FOR THE INSTALLATION POSITION BELOW TO ENSURE GRAVITY DRAINABILITY WHEN SUFFICIENT LINE SLOPE IS PROVIDED. FNPT AND TC INSTRUMENT PORT OPTIONS ARE PROVIDED TO ACCOMMODATE POPULAR SANITARY RTDS AND THERMOCOUPLES IN PHARMACEUTICAL INDUSTRY.



2.5" PROBE LENGTH									
INST. PORT	ELBOW INLET & OUTLET				PART #	"A" DIM	"B" DIM	"C" DIM	"D" DIM
1/2" FNPT	1/2"	AW	X	AW	7BBUAD2A7N*	2.50"	4.00"	2.25"	0.94"
	3/4"	AW	X	AW	7BBYAAD2A7N	2.50"	4.00"	2.25"	1.06"
3/4" TC	1/2"	AW	X	AW	7BBUACD2A7N	2.50"	4.00"	2.25"	0.94"
	3/4"	AW	X	AW	7BBYACD2A7N	2.50"	4.00"	2.25"	1.06"
1.5" TC	1/2"	AW	X	AW	7BBUAED2A7N	2.50"	4.00"	2.25"	0.94"
	3/4"	AW	X	AW	7BBY AED2A7N	2.50"	4.00"	2.25"	1.06"

4.0" PROBE LENGTH									
INST. PORT	ELBOW INLET & OUTLET				PART #	"A" DIM	"B" DIM	"C" DIM	"D" DIM
1/2" FNPT	1/2"	AW	X	AW	7BBUAG2A7N	4.00"	5.50"	2.25"	0.94"
	3/4"	AW	X	AW	7BBYAG2A7N	4.00"	5.50"	2.25"	1.06"
3/4" TC	1/2"	AW	X	AW	7BBUACG2A7N	4.00"	5.50"	2.25"	0.94"
	3/4"	AW	X	AW	7BBYACG2A7N	4.00"	5.50"	2.25"	1.06"
1.5" TC	1/2"	AW	X	AW	7BBU AEG2A7N	4.00"	5.50"	2.25"	0.94"
	3/4"	AW	X	AW	7BBY AEG2A7N	4.00"	5.50"	2.25"	1.06"

4.5" PROBE LENGTH									
INST. PORT	ELBOW INLET & OUTLET				PART #	"A" DIM	"B" DIM	"C" DIM	"D" DIM
1/2" FNPT	1/2"	AW	X	AW	7BBUAAH2A7N	4.50"	6.00"	2.25"	0.94"
	3/4"	AW	X	AW	7BBYAAH2A7N	4.50"	6.00"	2.25"	1.06"
3/4" TC	1/2"	AW	X	AW	7BBUACH2A7N	4.50"	6.00"	2.25"	0.94"
	3/4"	AW	X	AW	7BBYACH2A7N	4.50"	6.00"	2.25"	1.06"
1.5" TC	1/2"	AW	X	AW	7BBUAEH2A7N	4.50"	6.00"	2.25"	0.94"
	3/4"	AW	X	AW	7BBYAEH2A7N	4.50"	6.00"	2.25"	1.06"

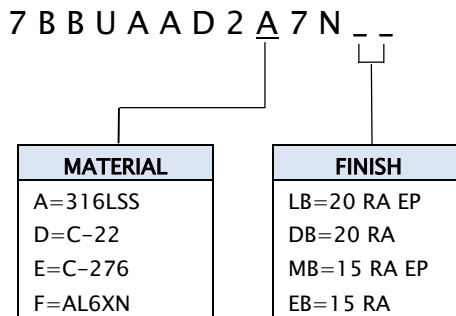
6.0" PROBE LENGTH									
INST. PORT	ELBOW INLET & OUTLET				PART #	"A" DIM	"B" DIM	"C" DIM	"D" DIM
1/2" FNPT	1/2"	AW	X	AW	7BBUAAAL2A7N	6.00"	7.50"	2.25"	0.94"
	3/4"	AW	X	AW	7BBYAAAL2A7N	6.00"	7.50"	2.25"	1.06"
3/4" TC	1/2"	AW	X	AW	7BBUAACL2A7N	6.00"	7.50"	2.25"	0.94"
	3/4"	AW	X	AW	7BBYAACL2A7N	6.00"	7.50"	2.25"	1.06"
1.5" TC	1/2"	AW	X	AW	7BBUAEL2A7N	6.00"	7.50"	2.25"	0.94"
	3/4"	AW	X	AW	7BBYael2A7N	6.00"	7.50"	2.25"	1.06"

NOTE:

- THERMOWELL ELBOW COMPLY WITH **ASME BPE DT-4-1, MJ-8.5-1, SF-2.2-1, SF-2.2-2(EP OPTION), SF-2.6-1.**
- THE PART NUMBERS LISTED ABOVE ARE FOR **316LSS** MATERIAL. PLEASE REFER TO PART NUMBER CONFIGURATOR FOR DIFFERENT MATERIAL SELECTION.
- **TC CONNECTION AND SPECIAL PROBE LENGTH** AVAILABLE ON REQUEST. PLEASE CONTACT SALES REPRESENTATIVE.

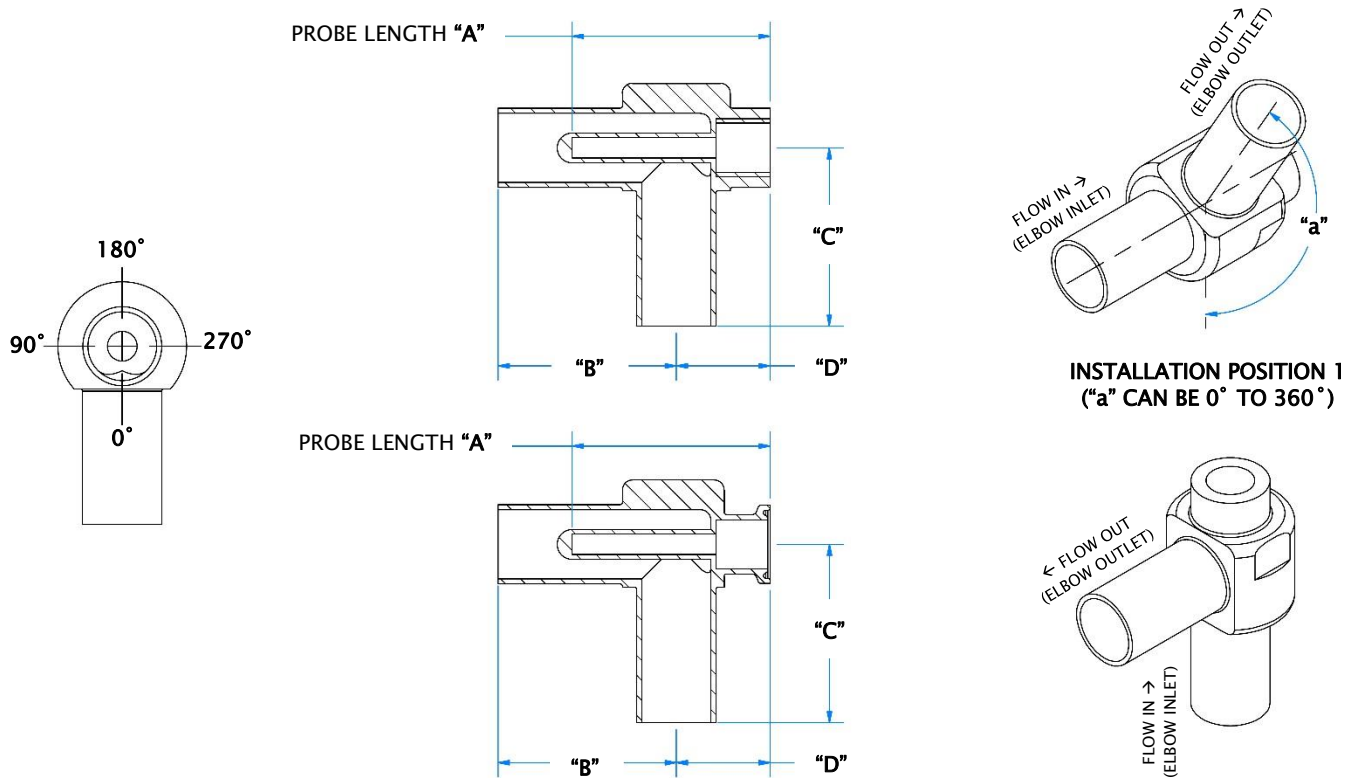
0.5" & 0.75" THERMOWELL ELBOW CONCENTRIC CONFIGURATION

EXAMPLE: PART# **7BBUAAD2A7N***- THERMOWELL ELBOW, CONCENTRIC, 2.5" PROBE LENGTH, 1/2" FNPT INSTRUMENT PORT, 1/2" AW X AW ELBOW INLET & OUTLET.



1.0" TO 6.0" THERMOWELL ELBOW

THE STRAIGHT INLET DESIGN FOR 1.0" TO 6.0" THERMOWELL ELBOW WILL ALLOW VARIOUS INSTALLATION POSITIONS WHEN SUFFICIENT LINE SLOPE IS PROVIDED TO ENSURE GRAVITY DRAINABILITY AS WELL AS EXCELLENT IMMERSION. FNPT AND TC INSTRUMENT PORT OPTIONS ARE PROVIDED TO ACCOMMODATE POPULAR SANITARY RTDS AND THERMOCOUPLES IN PHARMACEUTICAL INDUSTRY.



STRAIGHT INLET

INSTALLATION POSITION 2

2.5" PROBE LENGTH									
INST. PORT	ELBOW INLET & OUTLET				PART #	"A" DIM	"B" DIM	"C" DIM	"D" DIM
1/2" FNPT	1.0"	AW	X	AW	7BCCAAD2A7N*	2.50"	2.25"	2.25"	1.18"
	1.5"	AW	X	AW	7BCLAAD2A7N	2.50"	3.00"	3.00"	1.44"
	2.0"	AW	X	AW	7BCUAAD2A7N	2.50"	3.25"	3.25"	1.68"
	2.5"	AW	X	AW	7BCYAAD2A7N	2.50"	3.50"	3.50"	1.94"
	3.0"	AW	X	AW	7BDCAAD2A7N	2.50"	4.00"	4.00"	2.18"
	4.0"	AW	X	AW	7BDLAAD2A7N	2.50"	6.00"	6.00"	2.66"
	6.0"	AW	X	AW	7BDWAAD2A7N	2.50"	5.50"	5.50"	5.75"
3/4" TC	1.0"	AW	X	AW	7BCCACD2A7N	2.50"	2.25"	2.25"	1.18"
	1.5"	AW	X	AW	7BCLACD2A7N	2.50"	3.00"	3.00"	1.44"
	2.0"	AW	X	AW	7BCUACD2A7N	2.50"	3.25"	3.25"	1.68"
	2.5"	AW	X	AW	7BCYACD2A7N	2.50"	3.50"	3.50"	1.94"
	3.0"	AW	X	AW	7BDCACD2A7N	2.50"	4.00"	4.00"	2.18"
	4.0"	AW	X	AW	7BDLACD2A7N	2.50"	6.00"	6.00"	2.66"
	6.0"	AW	X	AW	7BDWACD2A7N	2.50"	5.50"	5.50"	5.75"

2.5" PROBE LENGTH										
INST. PORT	ELBOW INLET & OUTLET				PART #	"A" DIM	"B" DIM	"C" DIM	"D" DIM	
1.5" TC	1.0"	AW	X	AW	7BCCAED2A7N	2.50"	2.25"	2.25"	1.18"	
	1.5"	AW	X	AW	7BCLAED2A7N	2.50"	3.00"	3.00"	1.44"	
	2.0"	AW	X	AW	7BCUAED2A7N	2.50"	3.25"	3.25"	1.68"	
	2.5"	AW	X	AW	7BCYAED2A7N	2.50"	3.50"	3.50"	1.94"	
	3.0"	AW	X	AW	7BDCAED2A7N	2.50"	4.00"	4.00"	2.18"	
	4.0"	AW	X	AW	7BDLAED2A7N	2.50"	6.00"	6.00"	2.66"	
	6.0"	AW	X	AW	7BDWAED2A7N	2.50"	5.50"	5.50"	5.75"	

4.0" PROBE LENGTH										
INST. PORT	ELBOW INLET & OUTLET				PART #	"A" DIM	"B" DIM	"C" DIM	"D" DIM	
1/2" FNPT	1.0"	AW	X	AW	7BCCAAG2A7N	4.00"	3.75"	2.25"	1.18"	
	1.5"	AW	X	AW	7BCLAAG2A7N	4.00"	4.50"	3.00"	1.44"	
	2.0"	AW	X	AW	7BCUAAG2A7N	4.00"	4.75"	3.25"	1.68"	
	2.5"	AW	X	AW	7BCYAAG2A7N	4.00"	5.00"	3.50"	1.94"	
	3.0"	AW	X	AW	7BDCAAG2A7N	4.00"	5.50"	4.00"	2.18"	
	4.0"	AW	X	AW	7BDLAAG2A7N	4.00"	7.50"	6.00"	2.66"	
	6.0"	AW	X	AW	7BDWAAG2A7N	4.00"	7.00"	5.50"	5.75"	
3/4" TC	1.0"	AW	X	AW	7BCCACG2A7N	4.00"	3.75"	2.25"	1.18"	
	1.5"	AW	X	AW	7BCLACG2A7N	4.00"	4.50"	3.00"	1.44"	
	2.0"	AW	X	AW	7BCUACG2A7N	4.00"	4.75"	3.25"	1.68"	
	2.5"	AW	X	AW	7BCYACG2A7N	4.00"	5.00"	3.50"	1.94"	
	3.0"	AW	X	AW	7BDCACG2A7N	4.00"	5.50"	4.00"	2.18"	
	4.0"	AW	X	AW	7BDLACG2A7N	4.00"	7.50"	6.00"	2.66"	
	6.0"	AW	X	AW	7BDWACG2A7N	4.00"	7.00"	5.50"	5.75"	
1.5" TC	1.0"	AW	X	AW	7BCCAEG2A7N	4.00"	3.75"	2.25"	1.18"	
	1.5"	AW	X	AW	7BCLAEG2A7N	4.00"	4.50"	3.00"	1.44"	
	2.0"	AW	X	AW	7BCUAEG2A7N	4.00"	4.75"	3.25"	1.68"	
	2.5"	AW	X	AW	7BCYAEG2A7N	4.00"	5.00"	3.50"	1.94"	
	3.0"	AW	X	AW	7BDCAEG2A7N	4.00"	5.50"	4.00"	2.18"	
	4.0"	AW	X	AW	7BDLAEG2A7N	4.00"	7.50"	6.00"	2.66"	
	6.0"	AW	X	AW	7BDWAEG2A7N	4.00"	7.00"	5.50"	5.75"	

4.5" PROBE LENGTH										
INST. PORT	ELBOW INLET & OUTLET				PART #	"A" DIM	"B" DIM	"C" DIM	"D" DIM	
1/2" FNPT	1.0"	AW	X	AW	7BCCA AH2A7N*	4.50"	4.25"	2.25"	1.18"	
	1.5"	AW	X	AW	7BCLA AH2A7N	4.50"	5.00"	3.00"	1.44"	
	2.0"	AW	X	AW	7BCUA AH2A7N	4.50"	5.25"	3.25"	1.68"	
	2.5"	AW	X	AW	7BCYA AH2A7N	4.50"	5.50"	3.50"	1.94"	
	3.0"	AW	X	AW	7BDCA AH2A7N	4.50"	6.00"	4.00"	2.18"	
	4.0"	AW	X	AW	7BDLA AH2A7N	4.50"	8.00"	6.00"	2.66"	
	6.0"	AW	X	AW	7BDWA AH2A7N	4.50"	7.50"	5.50"	5.75"	

4.5" PROBE LENGTH									
INST. PORT	ELBOW INLET & OUTLET				PART #	"A" DIM	"B" DIM	"C" DIM	"D" DIM
3/4" TC	1.0"	AW	X	AW	7BCCACH2A7N	4.50"	4.25"	2.25"	1.18"
	1.5"	AW	X	AW	7BCLACH2A7N	4.50"	5.00"	3.00"	1.44"
	2.0"	AW	X	AW	7BCUACH2A7N	4.50"	5.25"	3.25"	1.68"
	2.5"	AW	X	AW	7BCYACH2A7N	4.50"	5.50"	3.50"	1.94"
	3.0"	AW	X	AW	7BDCACH2A7N	4.50"	6.00"	4.00"	2.18"
	4.0"	AW	X	AW	7BDLACH2A7N	4.50"	8.00"	6.00"	2.66"
	6.0"	AW	X	AW	7BDWACH2A7N	4.50"	7.50"	5.50"	5.75"
1.5" TC	1.0"	AW	X	AW	7BCCAEH2A7N	4.50"	4.25"	2.25"	1.18"
	1.5"	AW	X	AW	7BCLAEH2A7N	4.50"	5.00"	3.00"	1.44"
	2.0"	AW	X	AW	7BCUAEH2A7N	4.50"	5.25"	3.25"	1.68"
	2.5"	AW	X	AW	7BCYAEH2A7N	4.50"	5.50"	3.50"	1.94"
	3.0"	AW	X	AW	7BDCAEH2A7N	4.50"	6.00"	4.00"	2.18"
	4.0"	AW	X	AW	7BDLAEH2A7N	4.50"	8.00"	6.00"	2.66"
	6.0"	AW	X	AW	7BDWAEH2A7N	4.50"	7.50"	5.50"	5.75"

6.0" PROBE LENGTH									
INST. PORT	ELBOW INLET & OUTLET				PART #	"A" DIM	"B" DIM	"C" DIM	"D" DIM
1/2" FNPT	1.0"	AW	X	AW	7BCCAAL2A7N	6.00"	5.75"	2.25"	1.18"
	1.5"	AW	X	AW	7BCLAAL2A7N	6.00"	6.50"	3.00"	1.44"
	2.0"	AW	X	AW	7BCUAAL2A7N	6.00"	6.75"	3.25"	1.68"
	2.5"	AW	X	AW	7BCYAAL2A7N	6.00"	7.00"	3.50"	1.94"
	3.0"	AW	X	AW	7BDCAAL2A7N	6.00"	7.50"	4.00"	2.18"
	4.0"	AW	X	AW	7BDLAAL2A7N	6.00"	9.50"	6.00"	2.66"
	6.0"	AW	X	AW	7BDWAAL2A7N	6.00"	9.00"	5.50"	5.75"
3/4" TC	1.0"	AW	X	AW	7BCCAEL2A7N	6.00"	5.75"	2.25"	1.18"
	1.5"	AW	X	AW	7BCLAEL2A7N	6.00"	6.50"	3.00"	1.44"
	2.0"	AW	X	AW	7BCUAEL2A7N	6.00"	6.75"	3.25"	1.68"
	2.5"	AW	X	AW	7BCYACL2A7N	6.00"	7.00"	3.50"	1.94"
	3.0"	AW	X	AW	7BDCAEL2A7N	6.00"	7.50"	4.00"	2.18"
	4.0"	AW	X	AW	7BDLAEL2A7N	6.00"	9.50"	6.00"	2.66"
	6.0"	AW	X	AW	7BDWACL2A7N	6.00"	9.00"	5.50"	5.75"
1.5" TC	1.0"	AW	X	AW	7BCCAEL2A7N	6.00"	5.75"	2.25"	1.18"
	1.5"	AW	X	AW	7BCLAEL2A7N	6.00"	6.50"	3.00"	1.44"
	2.0"	AW	X	AW	7BCUAEL2A7N	6.00"	6.75"	3.25"	1.68"
	2.5"	AW	X	AW	7BCYACL2A7N	6.00"	7.00"	3.50"	1.94"
	3.0"	AW	X	AW	7BDCAEL2A7N	6.00"	7.50"	4.00"	2.18"
	4.0"	AW	X	AW	7BDLAEL2A7N	6.00"	9.50"	6.00"	2.66"
	6.0"	AW	X	AW	7BDWACL2A7N	6.00"	9.00"	5.50"	5.75"

NOTE:

- THERMOWELL ELBOW COMPLY WITH ASME BPE DT-4-1, MJ-8.5-1, SF-2.2-1, SF-2.2-2(EP OPTION), SF-2.6-1.
- THE PART NUMBERS LISTED ABOVE ARE FOR 316LSS MATERIAL. PLEASE REFER TO PART NUMBER CONFIGURATOR FOR DIFFERENT MATERIAL SELECTION.
- TC CONNECTION AND SPECIAL PROBE LENGTH AVAILABLE ON REQUEST. PLEASE CONTACT SALES REPRESENTATIVE.

1.0" TO 6.0" THERMOWELL ELBOW STRAIGHT CONFIGURATION

EXAMPLE: PART# **7BCCAAD2A7N***--THERMOWELL ELBOW, STRAIGHT, 2.5" **PROBE LENGTH**, 1/2" FNPT **INSTRUMENT PORT**, 1.0" AW X AW **ELBOW INLET & OUTLET**.

