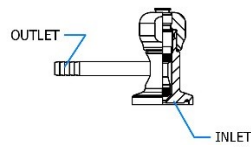
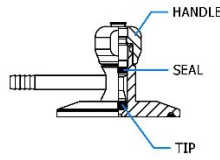


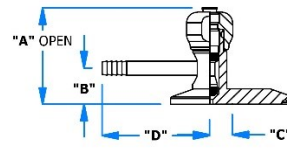
SANITARY ANGLE VENT VALVES – SOLID HANDLE



INLET - FRAC. TC;
OUTLET - HOSE BARB;



INLET - CONC. TC;
OUTLET - HOSE BARB;



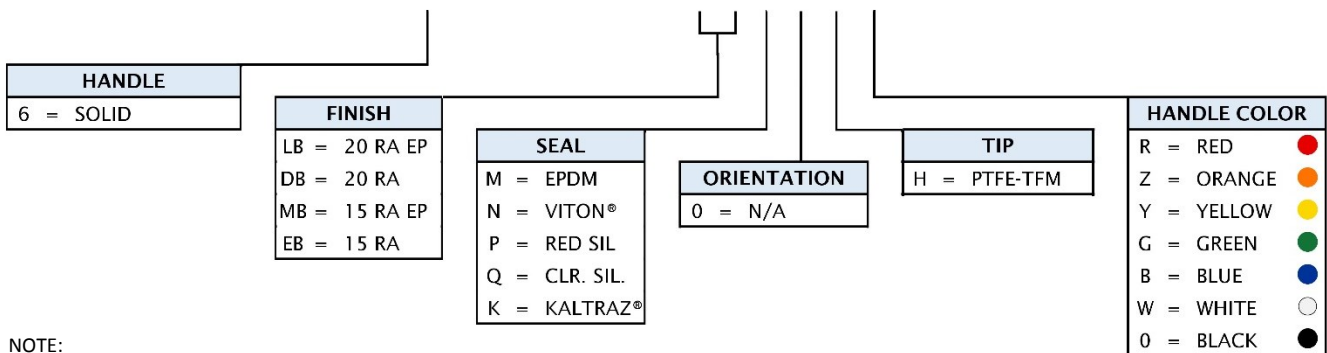
INLET - ECC. TC;
OUTLET - HOSE BARB;

SANITARY ANGLE VENT VALVES – SOLID HANDLE (Ø 0.104" INLET BORE SIZE)						
	INLET	PART #	"A" DIM	"B" DIM	"C" DIM	"D" DIM
1/8" HB OUTLET	0.5" & 0.75"	6AGDA2A*	1.25"	0.582"		1.75"
	1.0" CONC.	6AGJA2A	1.25"	0.582"		1.75"
	1.0" ECC.	6AGJD2A	1.25"	0.582"	0.365"	1.75"
	1.5" CONC.	6AGQA2A	1.25"	0.582"		1.75"
	1.5" ECC.	6AGQD2A	1.25"	0.582"	0.615"	1.75"
3/16" HB OUTLET	0.5" & 0.75"	6AGEA2A	1.25"	0.582"		1.75"
	1.0" CONC.	6AGKA2A	1.25"	0.582"		1.75"
	1.0" ECC.	6AGKD2A	1.25"	0.582"	0.365"	1.75"
	1.5" CONC.	6AGRA2A	1.25"	0.582"		1.75"
	1.5" ECC.	6AGRD2A	1.25"	0.582"	0.615"	1.75"

SANITARY ANGLE VENT VALVES – SOLID HANDLE CONFIGURATION

EXAMPLE: PART# **6AGDA2A*** – 1/8" HB OUTLET X 0.5" TC INLET ANGLE VENT VALVE

6AGDA2A _ _ _ 0H _



NOTE:

Custom end connections available on request. Please contact a sales representative.

VITON® is a registered trademark of DuPont Performance Elastomers.
KALTRAZ® is a registered trademark of Advant O Seal.

SANITARY ANGLE VENT VALVES – SOLID HANDLE – SPARES

VENT VALVE SPARE SEALS FOR STEM CAN BE ORDERED IN TWO PACKAGING TYPES DEPENDING ON INVENTORY REQUIREMENTS TO SUIT CUSTOMER NEEDS.

SEALS FOR STEM				
SEAL MATERIAL			PART #	
			SET	KIT
TEFLON® TIP	TEFLON® TIP	— EPDM O-RING	6A0003M — SET	6A0003M — KIT
	TEFLON® TIP	— VITON® O-RING	6A0003N — SET	6A0003N — KIT
	TEFLON® TIP	— RED SIL. O-RING	6A0003P — SET	6A0003P — KIT
	TEFLON® TIP	— CLR. SIL. O-RING	6A0003Q — SET	6A0003Q — KIT
	TEFLON® TIP	— KALTRAZ® O-RING	6A0003K — SET	6A0003K — KIT

NOTES:

- 1 SET CONTAINS = (1) TIP, (1) O-RING, (1) DOWEL PIN
- 1 KIT CONTAINS = (5) TIPS, (5) O-RINGS, (5) DOWEL PINS

STEM		
TIP	FINISH	
	20 RA	15 RA/EP
TEFLON® TIP	6A000BADB	6A000BAMB

HANDLE	
HANDLE COLOR	PART #
RED	6A000DS — R
ORANGE	6A000DS — Z
YELLOW	6A000DS — Y
GREEN	6A000DS — G
BLUE	6A000DS — B
WHITE	6A000DS — W
BLACK	6A000DG — 0

LOCK SCREWS	
PART#	6A000HA

NOTES:

- 1 UNIT = (2) LOCK SCREWS + (1) ALLEN WRENCH

O-RING LUBE	
PART#	6Z0009

NOTES:

- PLEASE REFER TO FLT O-RING LUBE DATA SHEET FOR SPECIFICATION