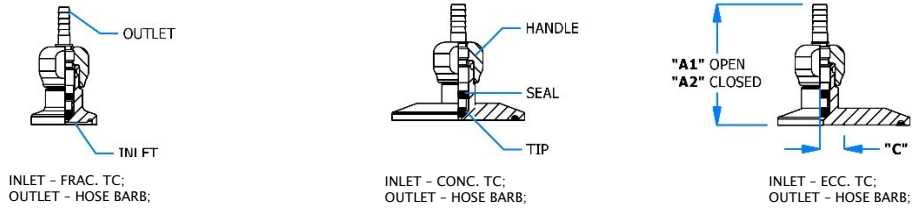


SANITARY INLINE VENT VALVES – SOLID HANDLE



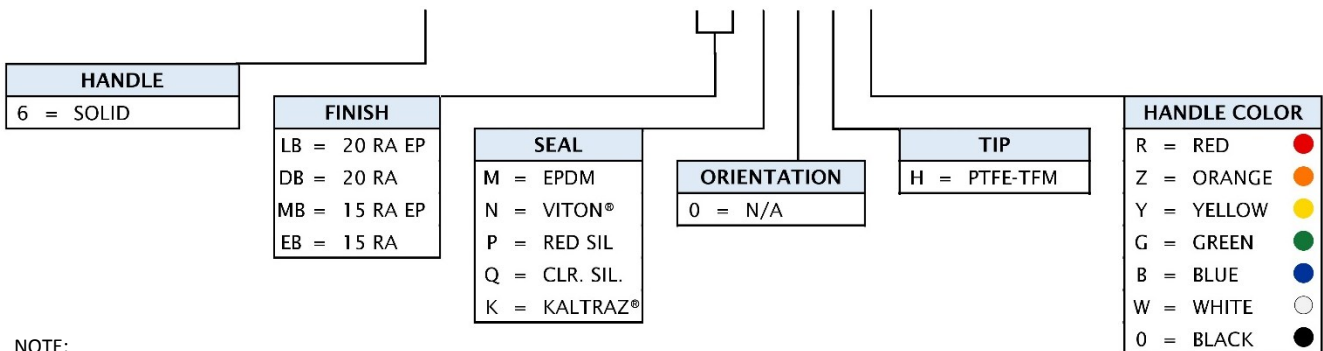
SANITARY INLINE VENT VALVES – SOLID HANDLE (Ø 0.104" INLET BORE SIZE)					
	INLET	PART #	"A1" DIM	"A2" DIM	"C" DIM
1/8" HB OUTLET	0.5" & 0.75"	6HGDA2A*	1.795"	1.745"	
	1.0" CONC.	6HGJA2A	1.795"	1.745"	
	1.0" ECC.	6HGJD2A	1.795"	1.745"	0.365"
	1.5" CONC.	6HGQA2A	1.795"	1.745"	
	1.5" ECC.	6HGQD2A	1.795"	1.745"	0.615"

	INLET	PART #	"A1" DIM	"A2" DIM	"C" DIM
3/16" HB OUTLET	0.5" & 0.75"	6HGEA2A	1.795"	1.745"	
	1.0" CONC.	6HGKA2A	1.795"	1.745"	
	1.0" ECC.	6HGKD2A	1.795"	1.745"	0.365"
	1.5" CONC.	6HGRA2A	1.795"	1.745"	
	1.5" ECC.	6HGRD2A	1.795"	1.745"	0.615"

SANITARY INLINE VENT VALVES – SOLID HANDLE CONFIGURATION

EXAMPLE: PART# 6HGDA2A* – 1/8" HB OUTLET X 0.5" TC INLET INLINE VENT VALVE

6 H G D A 2 A _ _ _ 0 H _



NOTE:

Custom end connections available on request. Please contact a sales representative.

VITON® is a registered trademark of DuPont Performance Elastomers.
KALTRAZ® is a registered trademark of Advant O Seal.

SANITARY INLINE VENT VALVES – SOLID HANDLE – SPARES

VENT VALVE SPARE SEALS FOR STEM CAN BE ORDERED IN TWO PACKAGING TYPES DEPENDING ON INVENTORY REQUIREMENTS TO SUIT CUSTOMER NEEDS.

SEALS FOR STEM				
SEAL MATERIAL			PART #	
			SET	KIT
TEFLON® TIP	TEFLON® TIP	— EPDM O-RING	6H0003M — SET	6H0003M — KIT
	TEFLON® TIP	— VITON® O-RING	6H0003N — SET	6H0003N — KIT
	TEFLON® TIP	— RED SIL. O-RING	6H0003P — SET	6H0003P — KIT
	TEFLON® TIP	— CLR. SIL. O-RING	6H0003Q — SET	6H0003Q — KIT
	TEFLON® TIP	— KALTRAZ® O-RING	6H0003K — SET	6H0003K — KIT

NOTES:

- 1 SET CONTAINS = (1) TIP, (1) O-RING, (1) DOWEL PIN
- 1 KIT CONTAINS = (5) TIPS, (5) O-RINGS, (5) DOWEL PINS

STEM		
OUTLET	FINISH	
	20 RA	15 RA/EP
1/4" HB	6HBDWBADB	6HBDWBAMB
3/16" HB	6HBJWBADB	6HBJWBAMB

HANDLE	
HANDLE COLOR	PART #
RED	6A000DS — R
ORANGE	6A000DS — Z
YELLOW	6A000DS — Y
GREEN	6A000DS — G
BLUE	6A000DS — B
WHITE	6A000DS — W
BLACK	6A000DG — 0

LOCK SCREWS	
PART#	6A000HA

NOTES:

- 1 UNIT = (2) LOCK SCREWS + (1) ALLEN WRENCH

O-RING LUBE	
PART#	6Z0009

NOTES:

- PLEASE REFER TO FLT O-RING LUBE DATA SHEET FOR SPECIFICATION