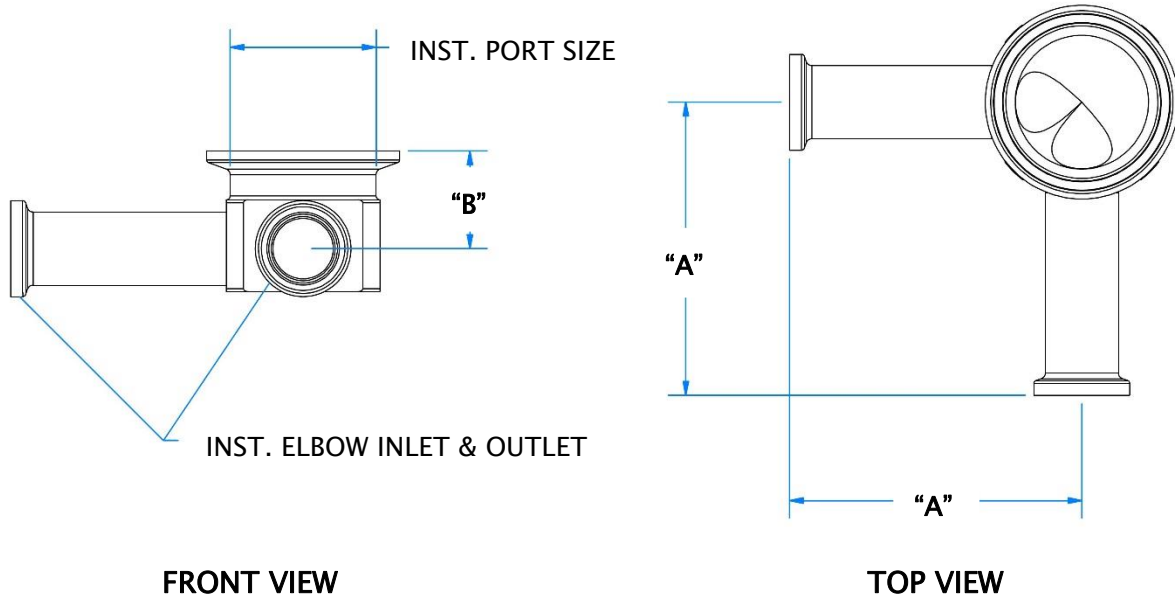


INSTRUMENTATION HORIZONTAL ELBOW – TC INLET & OUTLET

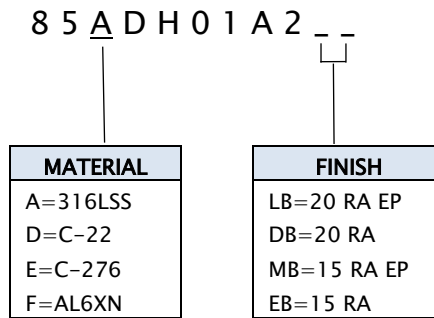


| INSTRUMENTATION HORIZONTAL ELBOW – TC INLET & OUTLET | | | | | | | |
|--|----------------------------|----|----|-----------|------------|---------|-------|
| INST. PORT SIZE | INST. ELBOW INLET & OUTLET | | | PART # | "A" DIM | "B" DIM | |
| 3/4" TC | 1/4" | TC | X | TC | 85ADH01A2* | 1.56" | 0.75" |
| | 3/8" | TC | X | TC | 85ADH01B2 | 1.56" | 0.81" |
| | 1/2" | TC | X | TC | 85ADH01C2 | 1.56" | 0.88" |
| | 3/4" | TC | X | TC | 85ADH01D2 | 1.63" | 1.00" |
| | 1" | TC | X | TC | 85ADH01E2 | 1.63" | 1.13" |
| | 1-1/2" | TC | X | TC | 85ADH01F2 | 1.75" | 1.38" |
| | 2" | TC | X | TC | 85ADH01G2 | 1.75" | 1.63" |
| 1" TC | 1/4" | TC | X | TC | 85AEH01A2 | 2.13" | 0.75" |
| | 3/8" | TC | X | TC | 85AEH01B2 | 2.13" | 0.81" |
| | 1/2" | TC | X | TC | 85AEH01C2 | 3.00" | 0.88" |
| | 3/4" | TC | X | TC | 85AEH01D2 | 3.00" | 1.00" |
| | 1" | TC | X | TC | 85AEH01E2 | 3.00" | 1.13" |
| | 1-1/2" | TC | X | TC | 85AEH01F2 | 3.00" | 1.38" |
| | 2" | TC | X | TC | 85AEH01G2 | 3.00" | 1.63" |
| 1-1/2" TC | 1/4" | TC | X | TC | 85AFH01A2 | 2.13" | 0.75" |
| | 3/8" | TC | X | TC | 85AFH01B2 | 2.13" | 0.81" |
| | 1/2" | TC | X | TC | 85AFH01C2 | 3.00" | 0.88" |
| | 3/4" | TC | X | TC | 85AFH01D2 | 3.00" | 1.00" |
| | 1" | TC | X | TC | 85AFH01E2 | 3.00" | 1.13" |
| | 1-1/2" | TC | X | TC | 85AFH01F2 | 3.00" | 1.38" |
| | 2" | TC | X | TC | 85AFH01G2 | 3.00" | 1.63" |
| | 2-1/2" | TC | X | TC | 85AFH01H2 | 3.00" | 1.88" |
| | 3" | TC | X | TC | 85AFH01J2 | 3.00" | 2.13" |
| 4" | TC | X | TC | 85AFH01K2 | 3.00" | 2.63" | |

| INSTRUMENTATION HORIZONTAL ELBOW, TC INLET & OUTLET | | | | | | | |
|---|-------------|-------|---|--------|-----------|---------|---------|
| INST. PORT SIZE | INST. ELBOW | INLET | & | OUTLET | PART # | "A" DIM | "B" DIM |
| 2" TC | 1/4" | TC | X | TC | 85AGH01A2 | 2.38" | 0.88" |
| | 3/8" | TC | X | TC | 85AGH01B2 | 2.38" | 0.94" |
| | 1/2" | TC | X | TC | 85AGH01C2 | 3.25" | 1.00" |
| | 3/4" | TC | X | TC | 85AGH01D2 | 3.25" | 1.13" |
| | 1" | TC | X | TC | 85AGH01E2 | 3.25" | 1.25" |
| | 1-1/2" | TC | X | TC | 85AGH01F2 | 3.25" | 1.50" |
| | 2" | TC | X | TC | 85AGH01G2 | 3.25" | 1.75" |
| | 2-1/2" | TC | X | TC | 85AGH01H2 | 3.25" | 2.00" |
| | 3" | TC | X | TC | 85AGH01J2 | 3.25" | 2.25" |
| | 4" | TC | X | TC | 85AGH01K2 | 3.25" | 2.75" |

INSTRUMENTATION HORIZONTAL ELBOW – TC INLET & OUTLET CONFIGURATION

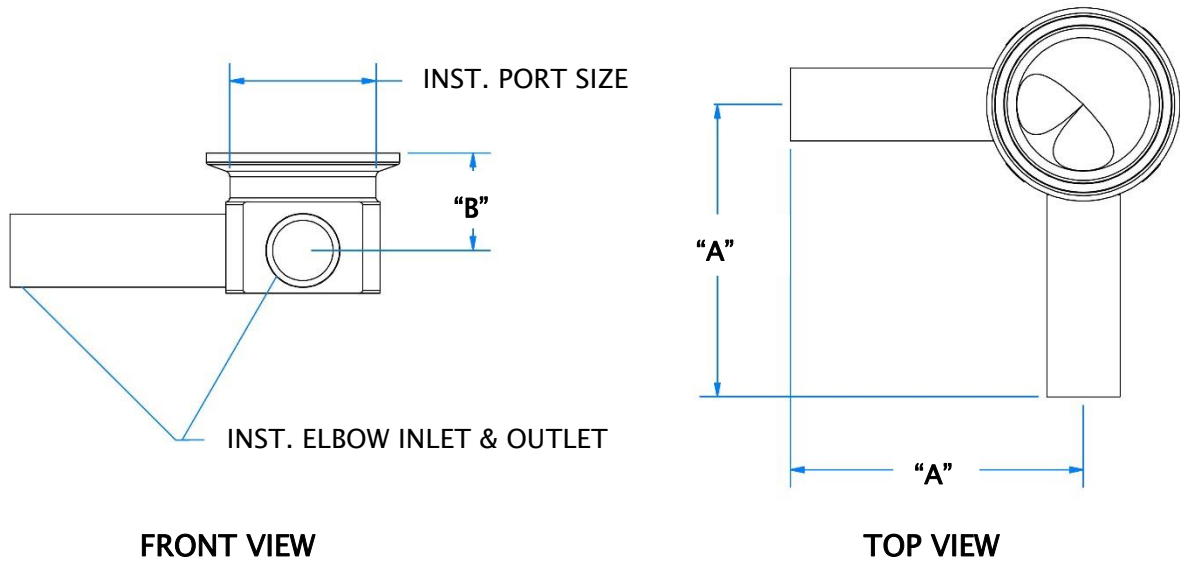
EXAMPLE: PART# 85ADH01A2 * – INSTRUMENTATION HORIZONTAL ELBOW, 3/4" TC INSTRUMENT PORT, 1/4" TC X TC INLET & OUTLET.



NOTE:

- PLEASE REFER TO THE "INSTRUMENTATION MULTIPORTS" CATALOG FOR REDUCING SIZES AND DIFFERENT TYPES OF CONNECTIONS ON INLET & OUTLET.

INSTRUMENTATION HORIZONTAL ELBOW – AW INLET & OUTLET

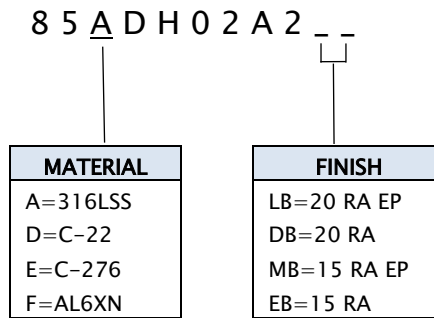


| INSTRUMENTATION HORIZONTAL ELBOW – AW INLET & OUTLET | | | | | | | |
|--|----------------------------|----|----|-----------|------------|---------|-------|
| INST. PORT SIZE | INST. ELBOW INLET & OUTLET | | | PART # | "A" DIM | "B" DIM | |
| 3/4" TC | 1/4" | AW | X | AW | 85ADH02A2* | 2.00" | 0.75" |
| | 3/8" | AW | X | AW | 85ADH02B2 | 2.00" | 0.81" |
| | 1/2" | AW | X | AW | 85ADH02C2 | 2.00" | 0.88" |
| | 3/4" | AW | X | AW | 85ADH02D2 | 2.00" | 1.00" |
| | 1" | AW | X | AW | 85ADH02E2 | 2.00" | 1.13" |
| | 1-1/2" | AW | X | AW | 85ADH02F2 | 2.00" | 1.38" |
| | 2" | AW | X | AW | 85ADH02G2 | 2.50" | 1.63" |
| 1" TC | 1/4" | AW | X | AW | 85AEH02A2 | 2.50" | 0.75" |
| | 3/8" | AW | X | AW | 85AEH02B2 | 2.50" | 0.81" |
| | 1/2" | AW | X | AW | 85AEH02C2 | 2.50" | 0.88" |
| | 3/4" | AW | X | AW | 85AEH02D2 | 2.50" | 1.00" |
| | 1" | AW | X | AW | 85AEH02E2 | 2.50" | 1.13" |
| | 1-1/2" | AW | X | AW | 85AEH02F2 | 2.50" | 1.38" |
| | 2" | AW | X | AW | 85AEH02G2 | 3.00" | 1.63" |
| 1-1/2" TC | 1/4" | AW | X | AW | 85AFH02A2 | 2.50" | 0.75" |
| | 3/8" | AW | X | AW | 85AFH02B2 | 2.50" | 0.81" |
| | 1/2" | AW | X | AW | 85AFH02C2 | 2.50" | 0.88" |
| | 3/4" | AW | X | AW | 85AFH02D2 | 2.50" | 1.00" |
| | 1" | AW | X | AW | 85AFH02E2 | 2.50" | 1.13" |
| | 1-1/2" | AW | X | AW | 85AFH02F2 | 2.50" | 1.38" |
| | 2" | AW | X | AW | 85AFH02G2 | 3.00" | 1.63" |
| | 2-1/2" | AW | X | AW | 85AFH02H2 | 4.00" | 1.88" |
| | 3" | AW | X | AW | 85AFH02J2 | 5.00" | 2.13" |
| 4" | AW | X | AW | 85AFH02K2 | 6.00" | 2.63" | |

| INSTRUMENTATION HORIZONTAL ELBOW, AW INLET & OUTLET | | | | | | | |
|---|-------------|-------|---|--------|-----------|---------|---------|
| INST. PORT SIZE | INST. ELBOW | INLET | & | OUTLET | PART # | "A" DIM | "B" DIM |
| 2" TC | 1/4" | AW | X | AW | 85AGH02A2 | 2.75" | 0.88" |
| | 3/8" | AW | X | AW | 85AGH02B2 | 2.75" | 0.94" |
| | 1/2" | AW | X | AW | 85AGH02C2 | 2.75" | 1.00" |
| | 3/4" | AW | X | AW | 85AGH02D2 | 2.75" | 1.13" |
| | 1" | AW | X | AW | 85AGH02E2 | 2.75" | 1.25" |
| | 1-1/2" | AW | X | AW | 85AGH02F2 | 2.75" | 1.50" |
| | 2" | AW | X | AW | 85AGH02G2 | 3.25" | 1.75" |
| | 2-1/2" | AW | X | AW | 85AGH02H2 | 4.25" | 2.00" |
| | 3" | AW | X | AW | 85AGH02J2 | 5.25" | 2.25" |
| | 4" | AW | X | AW | 85AGH02K2 | 6.25" | 2.75" |

INSTRUMENTATION HORIZONTAL ELBOW – AW INLET & OUTLET CONFIGURATION

EXAMPLE: PART# 85ADH02A2 * – INSTRUMENTATION HORIZONTAL ELBOW, 3/4" TC INSTRUMENT PORT, 1/4" AW X AW INLET & OUTLET.



NOTE:

- PLEASE REFER TO THE "INSTRUMENTATION MULTIPORTS" CATALOG FOR REDUCING SIZES AND DIFFERENT TYPES OF CONNECTIONS ON INLET & OUTLET.